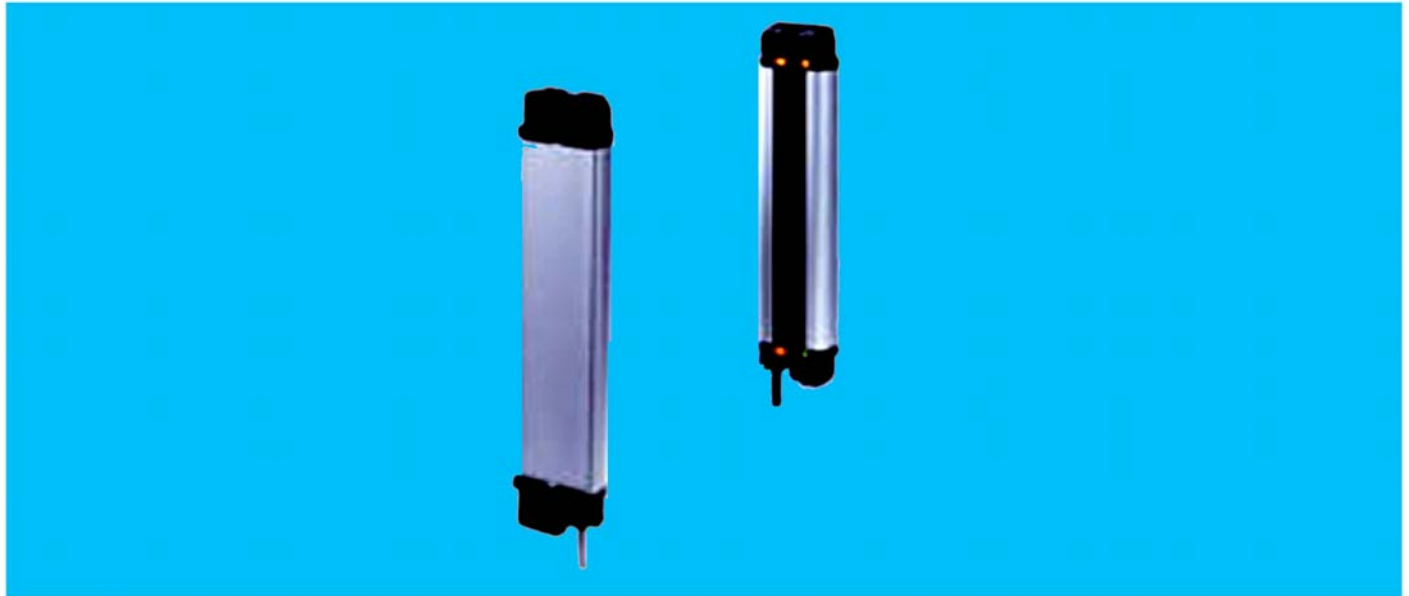
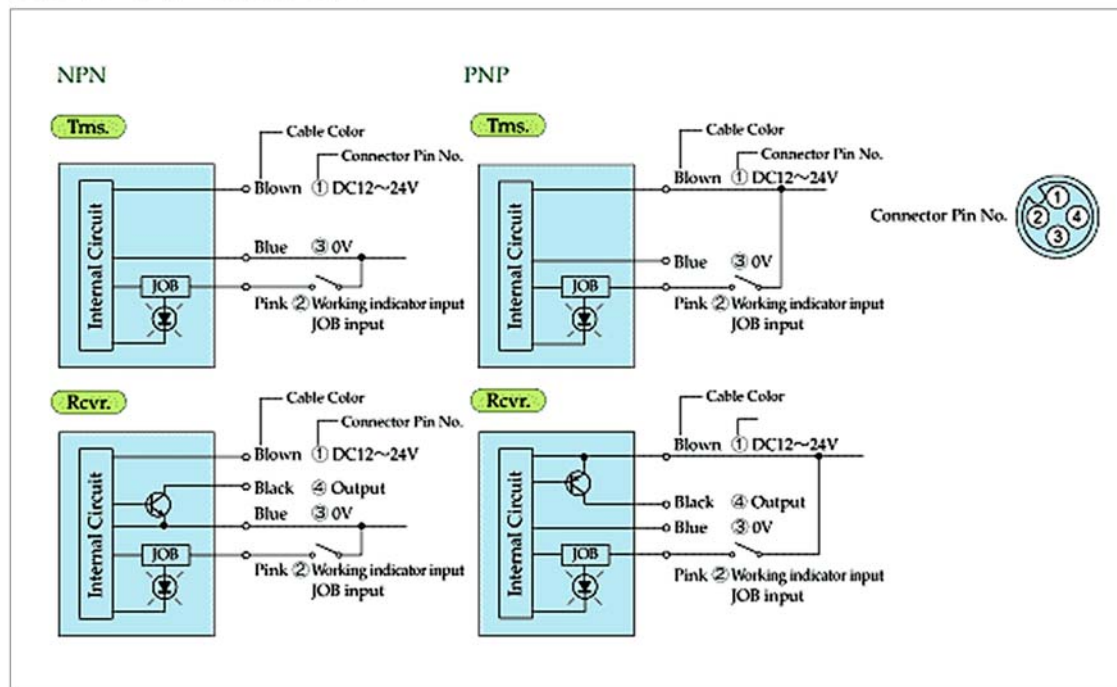


SSP T200 series

- Synchronization line is unnecessary.
- Robust metal enclosure and yet super slim type of slightly 13mm
- 2 groups of eye-friendly and large-sized job indicators
- Fault indicator
- Lighting operation is selectable
- Common use for NPN/PNP
- NPN or PNP can be changed by a switch inside of the sensor unit, which contributes to reduction of product inventory.



OUTPUT CIRCUIT



LIGHT CURTAIN SENSORS

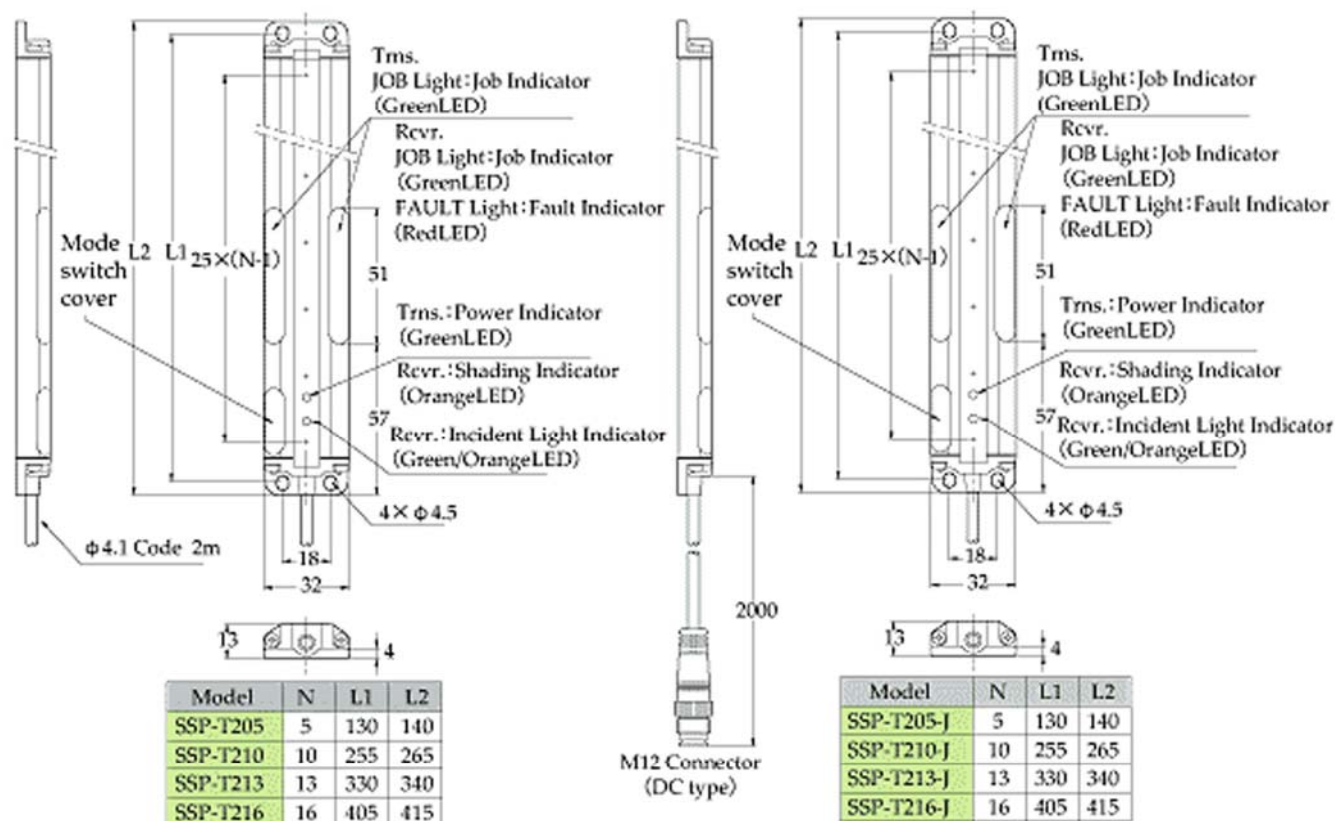
SPECIFICATION

Model No.	Set model	SSP-T205	SSP-T210	SSP-T213	SSP-T216
	Transmitter	SSP-TL205	SSP-TL210	SSP-TL213	SSP-TL216
	Receiver	SSP-TR205	SSP-TR210	SSP-TR213	SSP-TR216
Detection		Through-beam			
Range		2 m (Max.)			
Detection object		φ35 mm (Min.) Opaque object			
No. of optical axis		5	10	13	16
Detection width		100mm	225mm	300mm	375mm
Optical axis pitch		25 mm			
Power supply		12 to 24VDC ±10 %, Ripple 10 % (Max.)			
Current consumption(Max)		130mA	140mA	150mA	155mA
Output mode		NPN / PNP output selectable Rating : Current 50mA (30VDC)Max. Residual voltage 2V or less			
Operation mode		Light-on/Dark-on selectable			
Job indicator input		Non-contact or contact in put			
Response time	Standard	Light_on: 35 ms	Light_on: 68 ms	Light_on: 70 ms	Light_on: 94 ms
		Dark_on: 25ms	Dark_on: 42ms	Dark_on: 42ms	Dark_on: 58ms
	Interference protection	Light_on: 45 ms	Light_on: 84 ms	Light_on: 88 ms	Light_on: 116 ms
		Dark_on: 28ms	Dark_on: 52ms	Dark_on: 54ms	Dark_on: 72ms
Indicator	Transmitter	Power indicator (Green LED) / Job indicator (Green LED)			
	Receiver	Stability indicator (Green LED)/ Dark indicator(Orange LED)Unstability indicator (Green LED)/ Job indicator(Green LED)			
Light source		Infrared LED, Wave-length 880nm			
Job indicator		Lights/Flickering selectable / Lighting speed switch (Fast/Slow)			
Short circuit protection		Built-in			
Interference protection		Built-in (within 2 sets)			
Material		Enclosure: Aluminum, Lens : Polycarbonate, End plate: Resin			
Wiring		Flying lead(Outer dia.F4.1) 2 m length Transmitter:0.2mm,Q?~3 cores(Gray) Receiver :0.2mm,Q?~4 cores(Black)			
Weight (Max.)	Transmitter	105g	160g	195g	225g
	Receiver	110g	170g	205g	240g
Incidental function		Automatic sensitivity correction function			

ENVIRONMENTAL CHARACTERISTICS

Ambient light	10,000 lx (Max.)
Operating temperature	10 to 55°C (Storage: 25 to 70°C)
Operating humidity	35 to 85 %RH
Enclosure protection	IP 62
Vibration resistance	10Hz to 55Hz, 1.5mm Amplitude, 2 hours, X, Y and Z directions
Shock resistance	500 m/s 3 times X, Y and Z directions
Dielectric strength	1,000VAC for 1 minute
Insulation resistance	Min.20 MΩ (at 500VDC)

DIMENSIONS



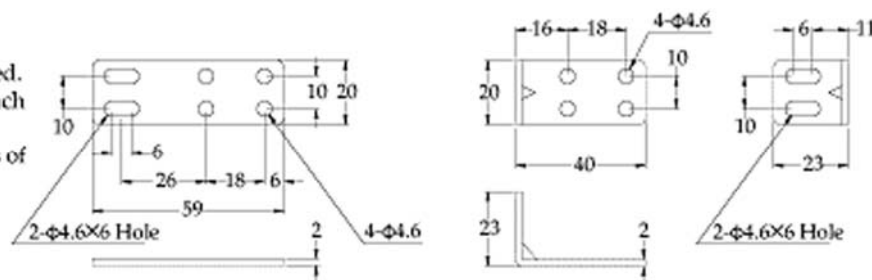
OPTION

Model: SSP-B1

Model: SSP-B2

Mounting

- Two kinds of metal fittings are prepared.
- A transmitter and a receiver are two each used and two pieces are 1 set.
- A screw with M4x12 washer and 4 sets of nuts are attached.



Code

Model: FAC-D4R2 (L:2m)
FAC-D4R5 (L:5m)

