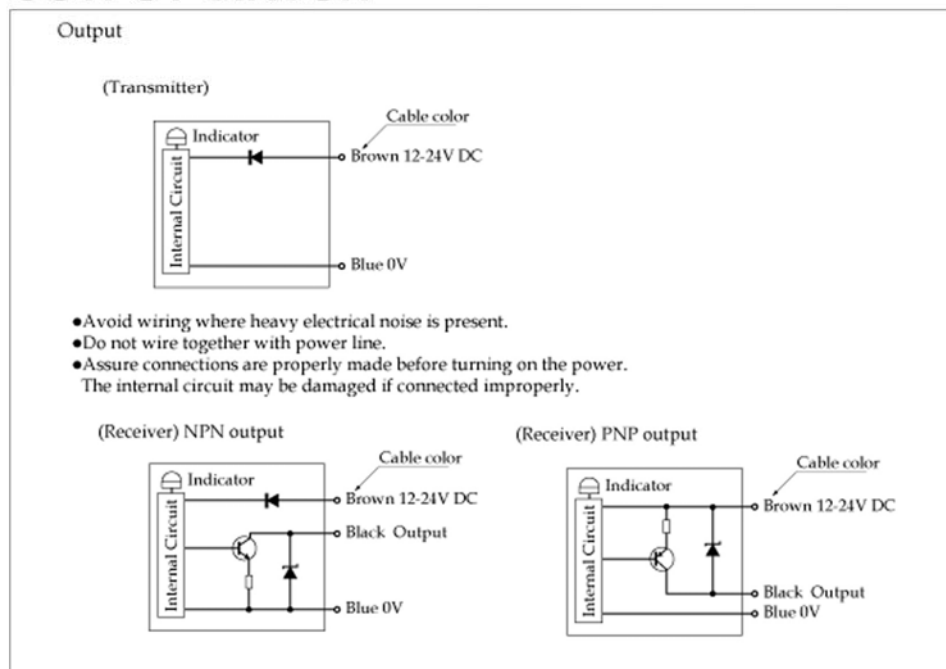


SSC-T800 series

- New type which adopted radial diagonally crossed beam method.
- The detection of light and very small object and thin tape is possible.
- Easy wiring and cable design.
- Compact and thin type
- Waterproof construction IP67, Leakage proof



OUTPUT CIRCUIT



SPECIFICATIONS

Models		SSC-T804(PN)	SSC-T805(PN)	SSC-T850(PN)	SSC-T810(PN)	SSC-T815(PN)	SSC-T830(PN)	SSC-T835(PN)
	Trns.	SSC-TL804	SSC-TL805	SSC-TL850	SSC-TL810	SSC-TL815	SSC-TL830	SSC-TL835
	Rcvr.	SSC-TR804(PN)	SSC-TR805(PN)	SSC-TR850(PN)	SSC-TR810(PN)	SSC-TR815(PN)	SSC-TR830(PN)	SSC-TR835(PN)
Detection	Throughbeam							
Range	0.5-2m			100-500mm			150-800mm	
Obj. resolution (Min.)	φ15mm	φ12.5mm	φ17mm	φ11mm	φ20mm	φ13mm	φ22mm	
No. of optical axis	5			10	10	6	10	6
Detecting width	50mm			150mm	100mm			
Optical axis pitch	12.5mm			16.6mm	11mm	20mm	11mm	20mm
Power supply	12-24VDC ±10%, Ripple 10%(Max.)							
Current consumption	Trns.	70mA(Max.)			80mA(Max.)			
	Rcvr.	65mA(Max.)			110mA(Max)	70mA(Max.)	110mA(Max.)	70mA(Max.)
Output mode(NPN)	NPN open collector output							
Rating	Sink current 100mA, 30VDC(Max.) Short circuit protection built-in							
Output mode(PNP)	PNP open collector output							
Rating	Source current 100mA, 30VDC(Max.) Short circuit protection built-in							
Operating mode	All light axis Light-On: Output transistor ON, One light axis obstructed: Output transistor OFF							
Response time	4ms(Max.)				8ms(Max.)			
Light source	Infrared LED(860nm)							
LED indicator	Trns.: Power(Green), Rcvr.: Power(Green), Light-On(Orange)							
Case material	Housing: Aluminum, End cap: PBT with glass							
connection cable	Flying lead, Outer dia 4mm							
	Trns.: 0.3sq x 2 wires 3m length, Rcvr.: 0.3sq x 3 wires							
Weight (Max.)	Trns, Rcvr 130g each			Trns, Rcvr 190g each		Trns, Rcvr: 150g each		

DIMENSIONS

