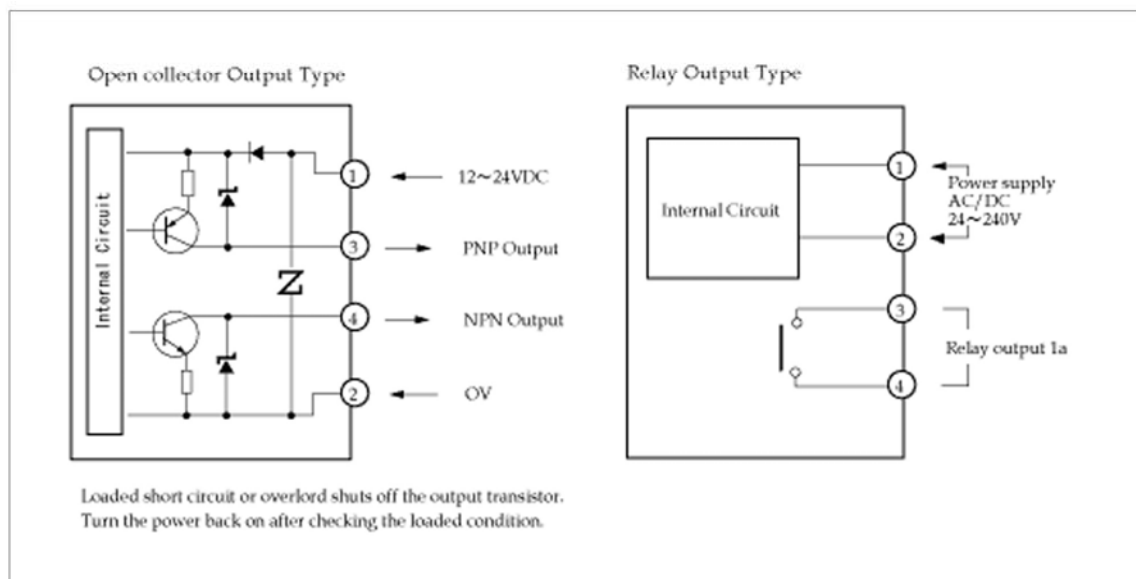


NAL-M10R series

- Long distance setting of 10m by reflector type.
- Stability detection of specular body.
- Conserve wiring only for one side.
- The stability operation is confirmed at one view.
(stability indicator is installed)



OUTPUT CIRCUIT



SPECIFICATIONS

Models	NAL-M10RP	NAL-M10RTC
Detection	Polarized retro-reflective	
Range	0.5 to 10m	
Detecting object	Opaque	
Power supply	AC/DC24 TO 240V $\pm 10\%$	12 to 24VDC $\pm 10\%$
	50/60Hz	Ripple 10% Max.
Power consumption	2W Max.	30mA Max.
Detecting object	Opaque	NPN/PNP open collector 2 outputs Rating: 100mA DC30VMax. NPN: Sink current PNP: Source current
Operating mode	Light-on/Dark-on selectable	
Response time	15ms Max.	0.5ms Max.
Operating angle	30°(Reflector side)	
Light source	Red LED(670nm)	
Indicators	Operation indicator: Orange LED, Stability: Green LED	
Circuit protection	-	Short circuit protection built-in
Materials	Case : Polycarbonate, Lens : Acrylic	
Cable	Terminal(M3.5 screw)	
Weight (Max.)	200g Max.	

DIMENSIONS

