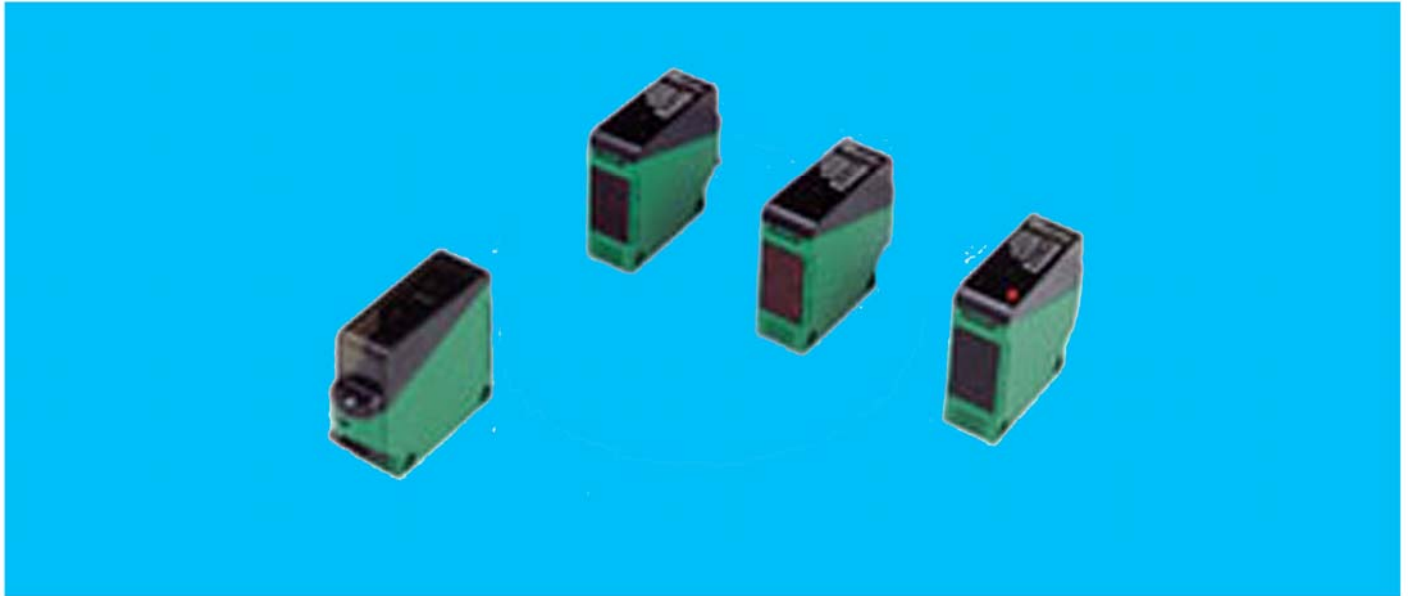
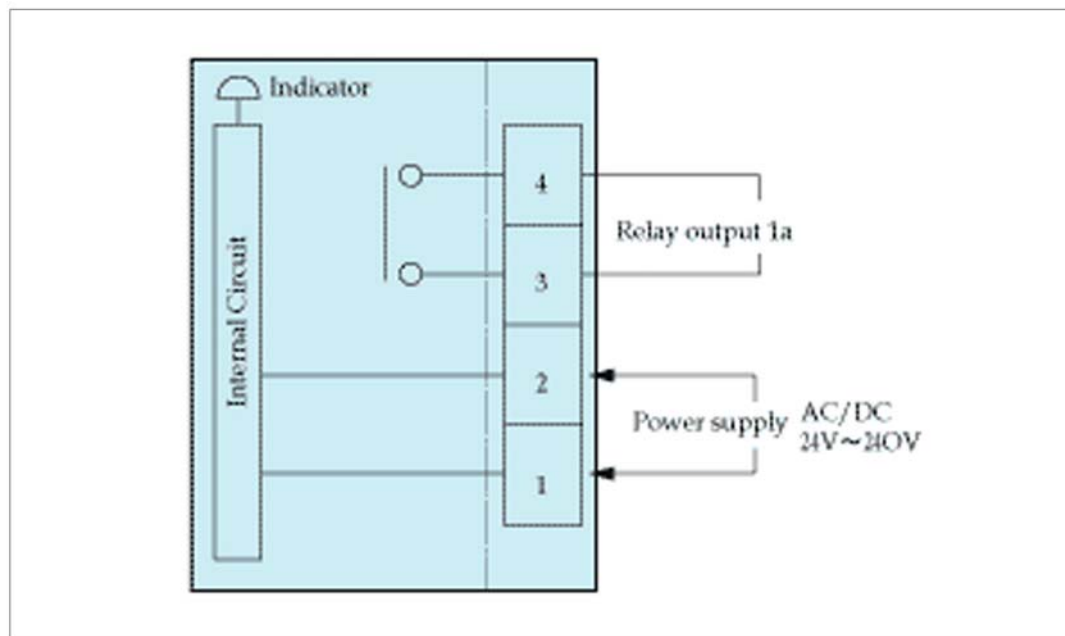


# NA series

- Fully open terminal boards, makes wiring easier.
- Globally universal operation power.
- Polarised light reflector that can even detect mirrored objects.
- Visible Red LED that enables easy adjustment.
- Noise resistance has been improved using our uniquely developed Photo IC.



## OUTPUT CIRCUIT



# AC/DC POWER SUPPLY PHOTO SENSORS

## SPECIFICATIONS

Models	NA-T20R *1	NA-M7R	NA-R10	NA-T20RF*4	NA-M7RF	NA-R10F
Detection	Through beam	Retro-reflection	Diffuse reflection	Through beam	Retro-reflection	Diffuse reflection
Range	20m (Max.)	0.03~7m (Max.) *2	1m (Max.) *3	20m (Max.)	0.03~7m (Max.) *2	1m (Max.) *3
Light Source	Red LED (700nm)		Infrared (880nm)	Red LED (700nm)		Infrared (880nm)
Power Supply	24V to 240V AC/DC $\pm$ 10%, 50/60 Hz					
consumption (Max.)	Trns.:1.5W/Rcvr.:2W	2W		Trns.:1.5W/Rcvr.:2W	2W	
Operating mode	Light/Dark-ON Selectable			Light/Dark-ON Selectable, Timer Selectable		
Timer	-			ON-Delay, OFF-Delay, One shot, or No Timer		
Timer interv.	-			0.1 to 5 sec.		
Output Mode	Relay, Form 1C					
Rating	3A 250V AC MAX Resistive Load / 3A 30V DC MAX Resistive Load					
Obj. resolution	Min. 22mm Dia	-		Min. 22mm Dia	-	
Resource time	10msec. (Max.)					
Ambient light	Withstands 10,000 Lux (Max.)					
LED indicators	Operation (Red)					
Volume.	-	Sensitivity VR		Timer adjustment VR.		Sensitivity VR Timer adjustment VR
Operating temp.	-25~+55°C					
Humidity	35 ~ 85% RH					
Case Protection	IP66 (IEC), Jet-proof					
Vibration	10~55Hz, 1.5mm Amplitude, 2HR,3 Directions					
Connection	Terminal (M3.5 Screw)					
Weight	Trns.:150g Rcvr.:170g *1	170g		Trns.:150g Rcvr.:170g *3	170g	
		NA-T20R (SET MODEL) Trns. NA-TL20R *4			200×200 White paper NA-T20RF (SET MODEL) Trns. NA-TL20R	
		Rcvr. NA-TR20R			Trns. NA-TL20R	
	*2	K-7 Reflector is included			Rcvr. NA-TR20RF	

## DIMENSIONS

