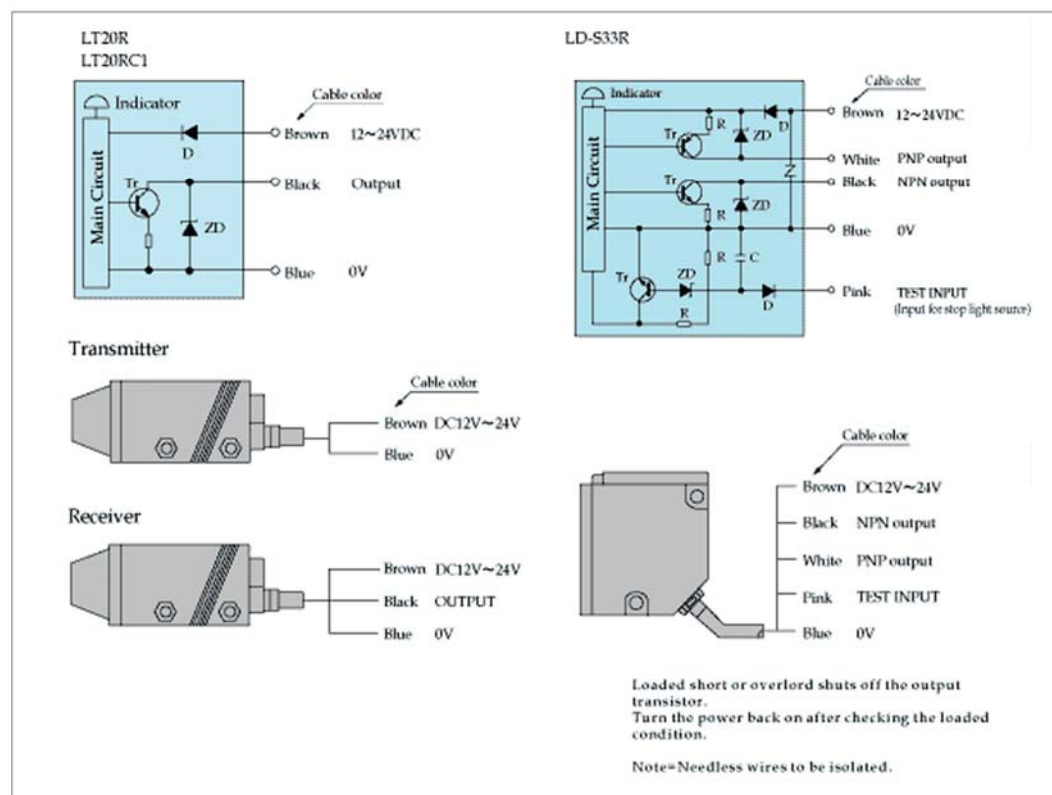


LT20R/LD-S33R series

- A Red Semiconductor laser (class 2) is used
- A fine object of (4mm) is detectable over the long distance of 20m.
- Compact design by high density mounting. (LD-S33R)
- A fine mark can be detected from a great distance.
- Implement safety measures according to the instruction manual.



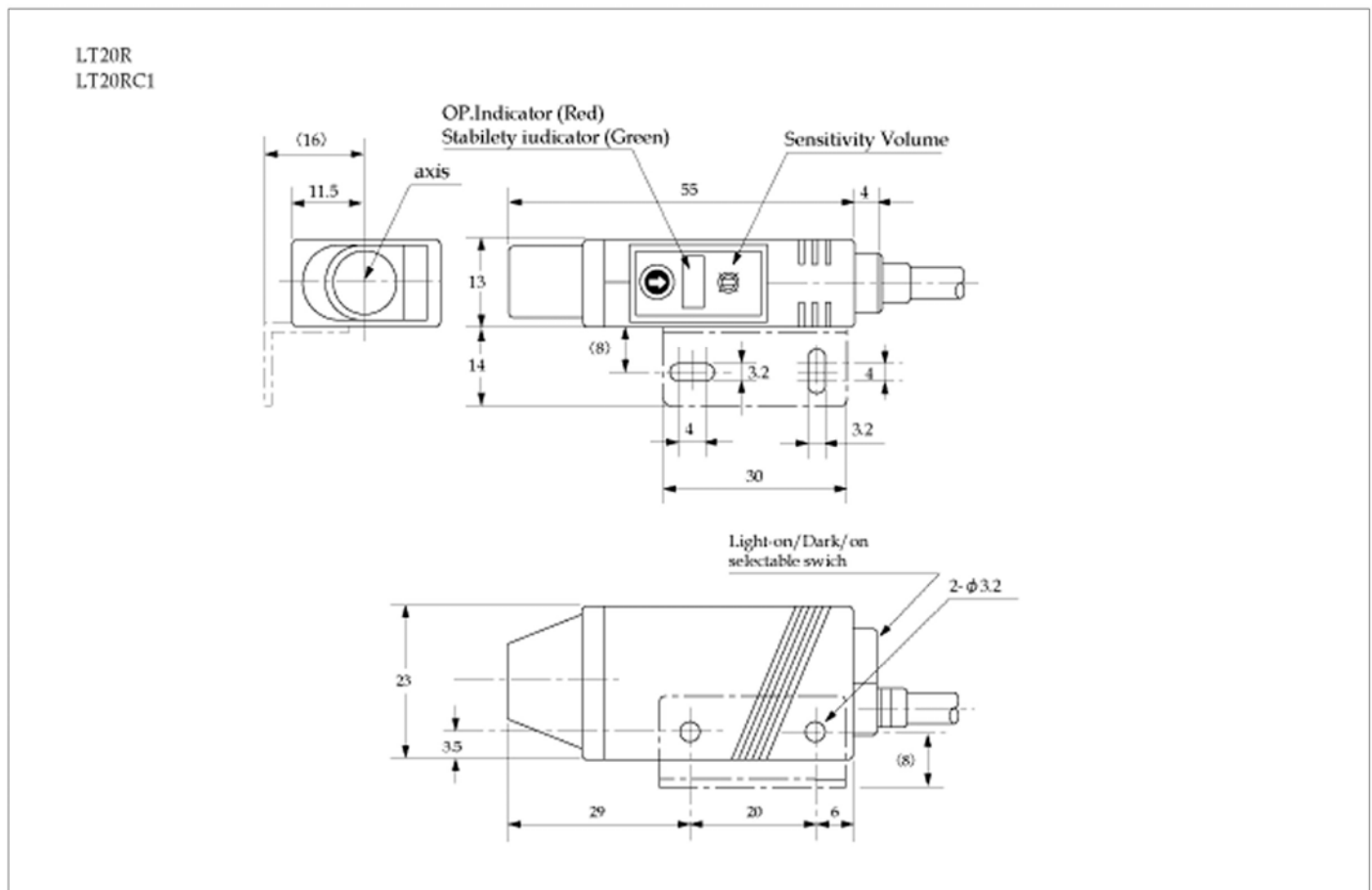
OUTPUT CIRCUIT



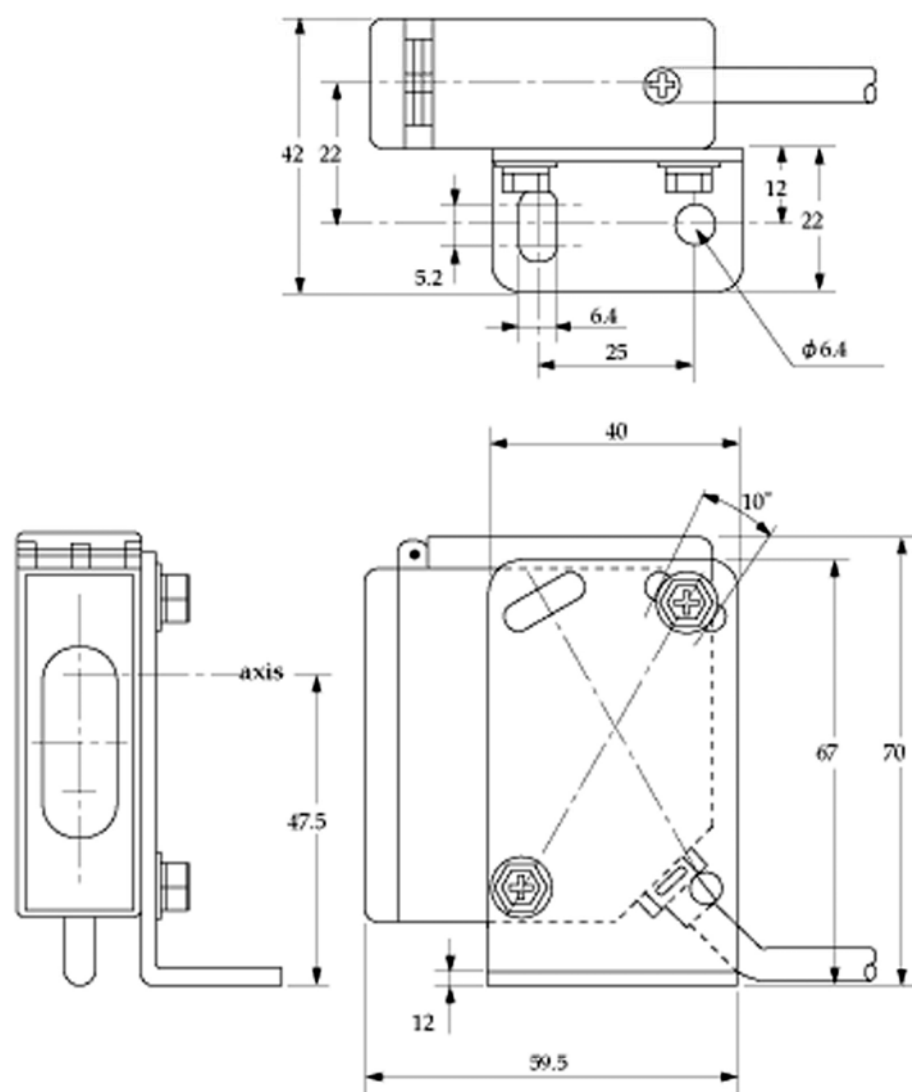
SPECIFICATIONS

Models	LD-S33R	LT20RB
Detection	Diffuse Reflection	Through beam
Range	300mm±100mm	20m
Power Supply	12-24V DC ± 10%, Ripple 10 Max.	
Current consumption	38mA (Max.)	100mA (Max.)
Operating mode	Light-on,Dark-on selectable	
Output Mode	Open collector NPN/PNP 2 output Rating: 100mA,DC 30V Max.	Open collector NPN output Rating:Sink current (100mA,DC 30V Max.)
Resource time	0.5msec(Max.)	
Spot diameter	φ2mm (at range 300mm)	-
Indicator	Operation : Red,Stability : Green	
Minimum object's mark width	0.5mm (Black mark on the white paper at range 300mm)	-
Sensitivity volume	8 turn non-stopper potentiometer	-
Light source (wave length)	Red Laser Diode (650nm) Class2	Red semiconductor laser wave length (670nm)
Short circuit protection	Built - in	
Material	Body: Zinc diecast & Aluminium Head: ABS Indicator panel: Polycarbonate Lens: Glass	Case:Polycarbonate Lens: Acrylic Head: PBT
Connection	Flying lead 3m (outer dia φ4.5mm) 0.25sq×5 cores	Flying lead 3m (outer dia φ4.2mm) Trns :0.3sq×2 cores,Rcvr: 0.35q×3 cores
Weight(Max.)	300g (Max.)	Trns : 150g, Rcvr : 100g (Max.)

DIMENSIONS



DIMENSIONS

LD-S33R
LD-S33TR

Mounting bracket option