

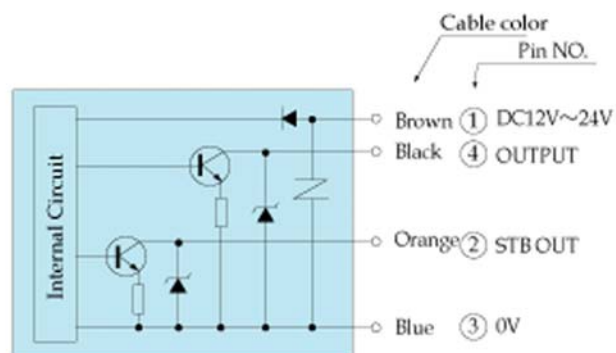
# LD-T20R series

- Red semiconductor laser adoption
- 20m Long setting distance
- Available Class 1 or Class 2

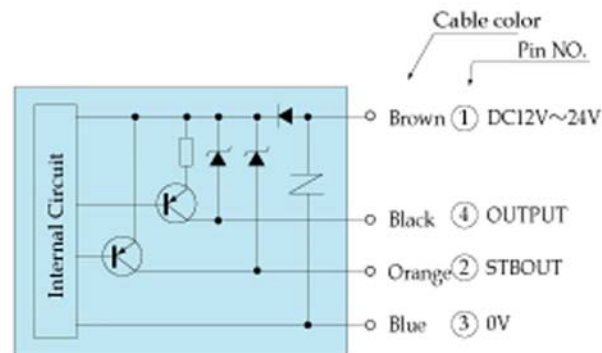


## OUTPUT CIRCUIT

### ● NPN output type



### ● PNP output type



- Loaded short circuit or overload shuts off the output transistor.
- Turn the power back on after checking the loaded condition.

## SPECIFICATION

Models	NPN type	LD-T20R	LD-T20R-C1
	PNP type	LD-T20RPN	LD-T20RPN-C1
Detection	Through beam		
Range	20m		
Detecting object	20mm dia. opaque		
Power supply	12 to 24VDC $\pm$ 10%, Ripple 10% (Max.)		
Power consump.	NPN type	Transmitter 20mA (Max.), Receiver 20mA(Max.)	
	PNP type	Transmitter 20mA (Max.), Receiver 25mA(Max.)	
Output mode- Output mode	Control output- Stability output	NPN open collector, Rating: Sink current 100mA(30VDC) Max.	
		PNP open collector, Rating: Source current 100mA(30VDC) Max.	
	Control output- Stability output	NPN open collector, Rating: Sink current 50mA(30VDC) Max.	
		PNP open collector, Rating: Source current 50mA(30VDC) Max.	
Operating mode	Light-on/Dark-on selectable		
Response time	0.5ms Max.		
Operating angle	30°(Receiver side)		
Light source	Red semiconductor laser(650nm)		
	Class 2	Class 1	
Indicators	Transmitter: Power (Green) Receiver: Operating (Red), Stability (Green)		
Sensitivity	SENS: Potentiometer(Receiver)		
Operating mode	Light-on/Dark-on selectable		
Circuit protection	Short circuit protection built-in		
Materials	Case : Polyarylate, Lens : Acrylic		
Cable	Flying lead 2m(Outer dia. 4.2mm)		
Weight (Max.)	Transmitter: 80g, Receiver: 80g		

## DIMENSIONS

