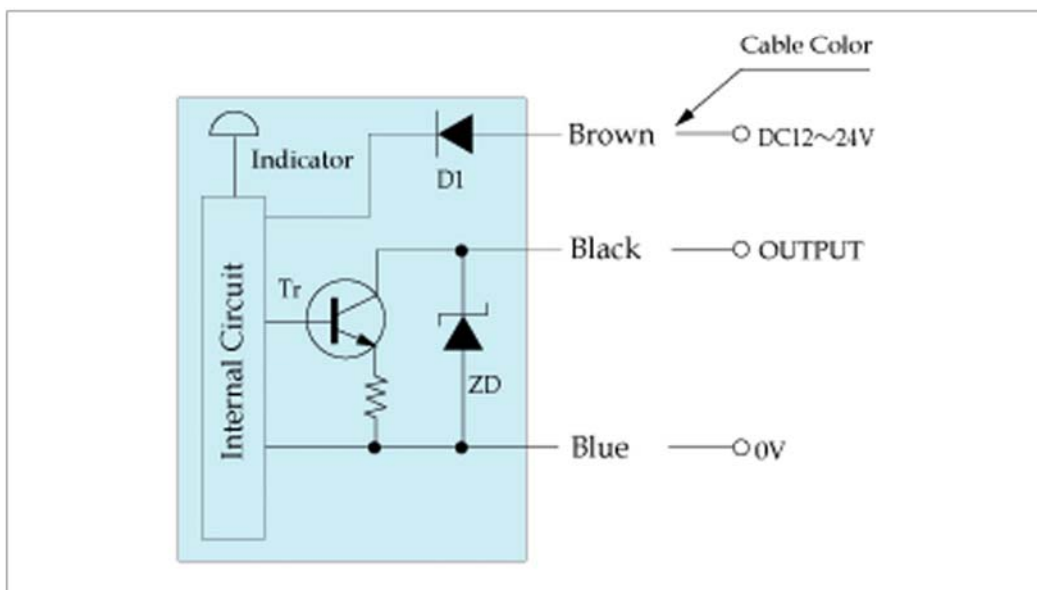


GTS(S)-WS series

- Wavelength source of light adoption absorbed to water molecule.
- Protective construction IP67



OUTPUT CIRCUIT



SPECIFICATIONS

Models	Basic Side on	GT2-WS GT2S-WS
Detection	Through beam	
Range	2 m	
Obj. resolution	F20mm (Min.) Opaque object	
Power supply	12 to 24VDC±10%, Ripple 10% (Max.)	
Current consumption	Trsn.: 25mA (Max.), : Rcvr : 10mA (Max.)	
Output mode	Open collector, NPN output, Rating : Sink Current 100mA, DC30V (Max.)	
Operating mode	Light-on/Dark-on selectable	
Response time	1ms (Max.)	
Beam deviation	15°(Receiver)	
Light sourcewave	Red LED (1450nm)	
Indicators	Trns.:Power : Red / Rcvr.:OP.L : RED / Stability indicator: Green	
Volume	Teaching system : Built-in	
Switch	Light-on/Dark-on (By exclusive switch)	
Circuit protection	Short circuit protection built-in	
Materials	Case, Lens : Polycarbonate	
Connection	Flying lead 2m(F4.2)	
Weight (Max.)	Trns. Rcvr. 100g each	
Accessories	Bracket, Pinhole masks (2sheets)	

DIMENSIONS

