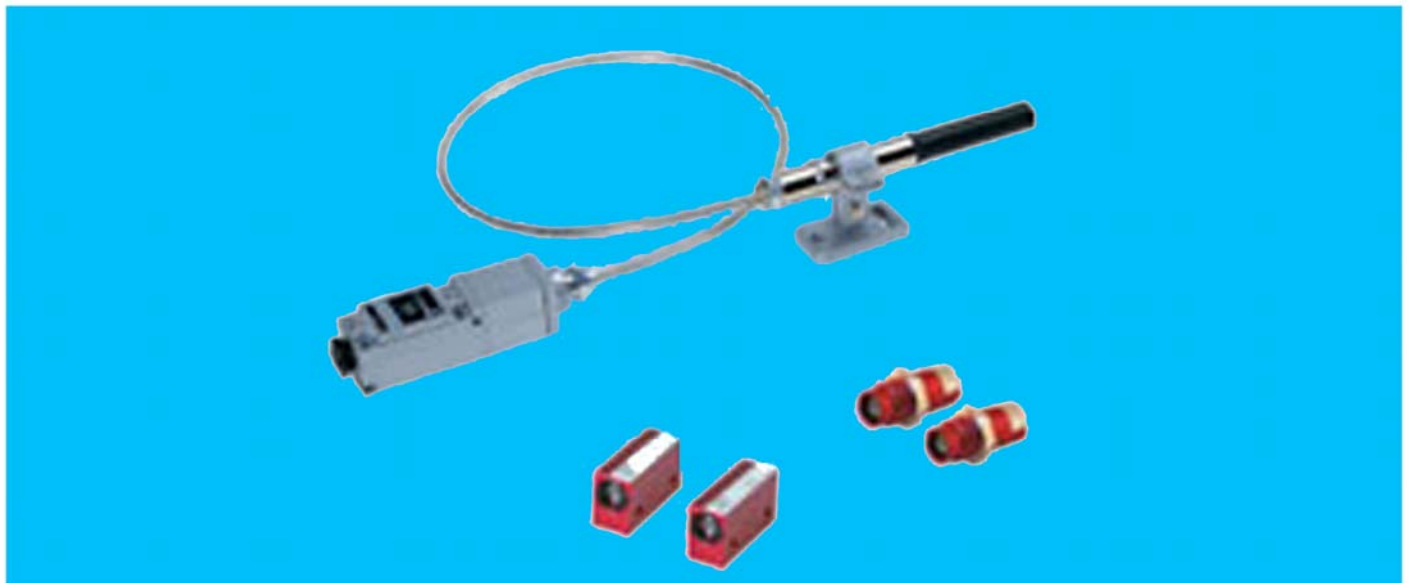
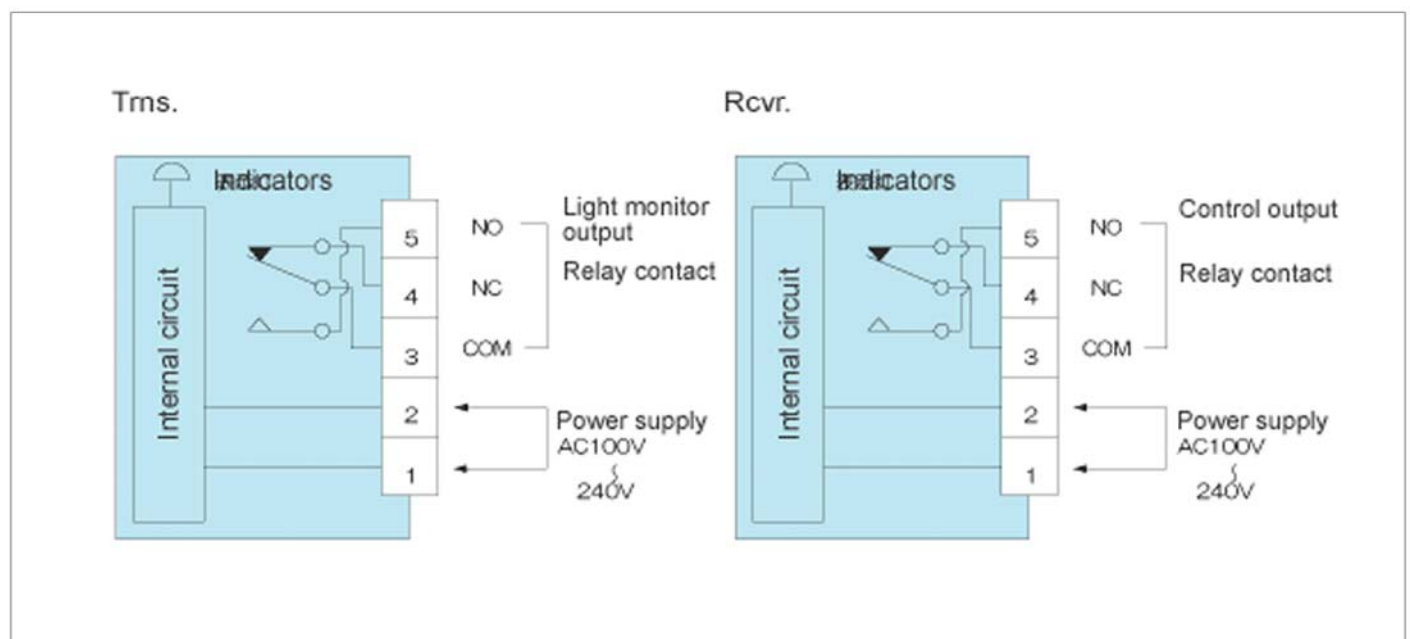


# FT-R101 series

- Free power supply voltage
- Monitor output for transmitter is equipped
- Withstand 200°C without cooling



## OUTPUT CIRCUIT



# SPECIFICATIONS

Model	FT-R101			
Output mode	Relay contact output 1C			
Rating	AC250V 2A (Resistance load)			
Operating mode	Light-ON / Dark-ON (Switching)			
Response time	20ms Max.			
Fiber-optic unit				
allowable bending radius	50mm			
Power Supply	AC100 to 240V, $\pm 10\%$ 50/60Hz			
Range	Fiber unit	Only fiber unit	on FA51/52	on OHC
	GT205AD	55cm	2.7m	22m
	GT21AD	55cm	2.7m	22m
	GT22AD	50cm	2.5m	20m
	GT23AD	45cm	2.2m	18m
	GT25AD	40cm	2.0m	16m
	GT27AD	35cm	1.8m	14m
	GT210AD	30cm	1.5m	12m
Power consumption	Trns. Rcvr.: 2W Max.			
Weight	Trns.:720g, Rcvr.:720g			
Materials	Zinc diecast			
Indicators	Tms.	Power: Green LED, Monitor: Red LED		
	Rcvr	Power: Green LED, Monitor: Red LED		
Connection	Terminal block type (screw: M3.5, width: 8.1mm)			
Usage ambient temperature	Optical head, Fiber unit: -25 to +20°C Amp. unit: -25 to +55°C (Non freezing)			
Storage temperature range	-40 to +70°C (Non condensing)			
Usage ambient humidity	35 to 85%RH (Non condensing)			
Usage ambient illuminance	10,000 lx (incandescent lamp)			
Fiber-optic unit				
allowable bending radius	IP66			
Resistance to vibration	10 to 55Hz, Double oscillation 1.5mm X, Y, Z 3ways 2hours on each			
Voltage endurance	Input/Output - Case, Input - Output AC2000V per minute			
Insulating resistance	20MOhms Max. (at DC500VM)			

# DIMENSIONS

