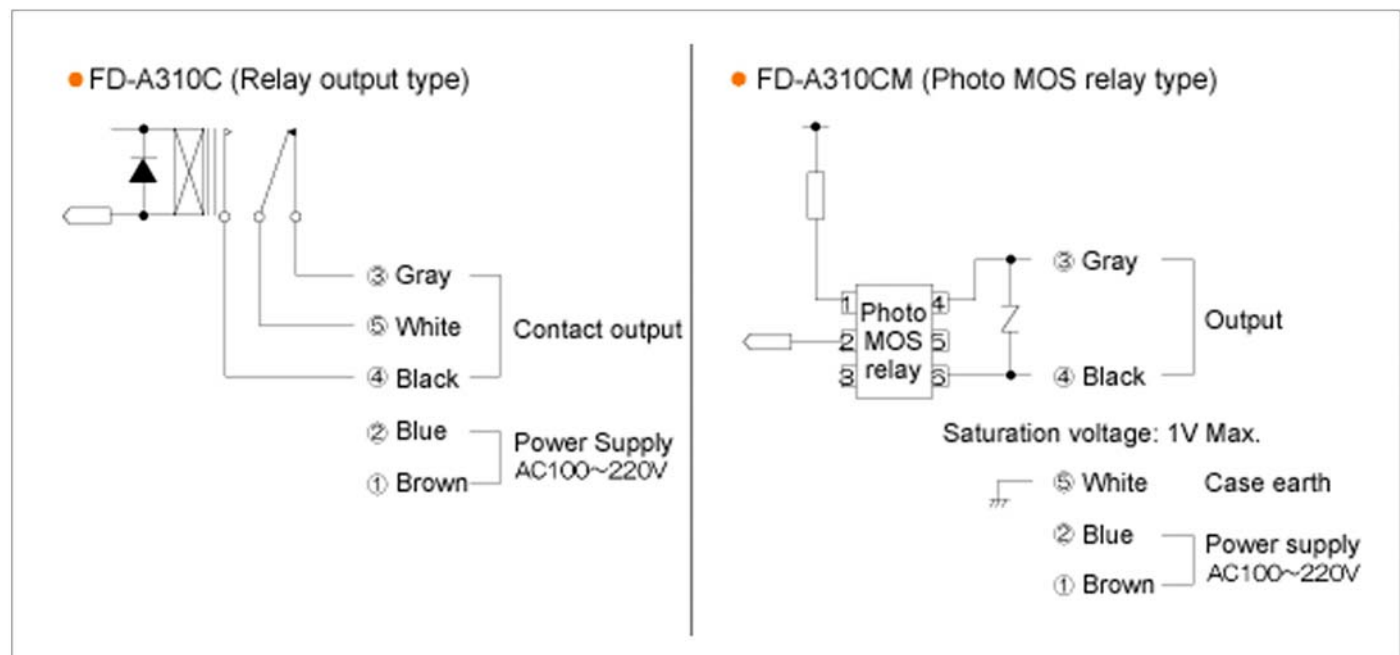


FD-A310C series

- Low cost but high performance
- Withstand 200°C degree without cooling
- Compact and light weight housing



OUTPUT CIRCUIT



HOT METAL DETECTOR

SPECIFICATION

Model	FD-A310C	FD-A310CM
Output mode	Relay output	Photo MOS relay output
Control	Output	ON-OFF control (built-in Light ON/Dark ON switch)
	Rating	Transfer contact MAX 5A 250V AC (Resistance load)
		1a MAX 80mA 250V AC.DC (Resistance load) Saturation voltage = 1V Max.
Response time	10ms Max.	5ms Max.
Light receiving element	Ge photodiode	
Sensitivity wavelength	0.8 to 1.8 μ m	
Sensitivity control	Digital switching mode, 10 positions (Non-stopper rotation)	
Indicators	Power: (P.L), Operation: (OP.L), Receiver level: 3 popints	
Power Supply	AC100 to 220V +10% - 15% 50/60Hz	
Power consumption	5W Max.	
Connection	Connector cable 2m / 0.75mm ² × 5cores (Outer dia. 10.5)	
Usage ambient temp.	Optical head, Fiber unit: -25 to +200°C Amp unit: -25 to +55°C (Non freezing)	
Storage temp. range	-40 to +70°C (Non condensing)	
Usage ambient humidity	35 to 85%RH (Non condensing)	
Insulating resistance	DC500VM 20MO Min.	
Voltage endurance	AC1500V 1minute	
Resistance to vibration	10 to 55Hz, Double oscillation 1.5mm X, Y, Z 3ways 2hours on each	
Shock endurance	490m/s ² X, Y, Z 3ways 3times on each	
Protective construction	IP54	
Weight	950g (with accessories)	

DIMENSIONS

