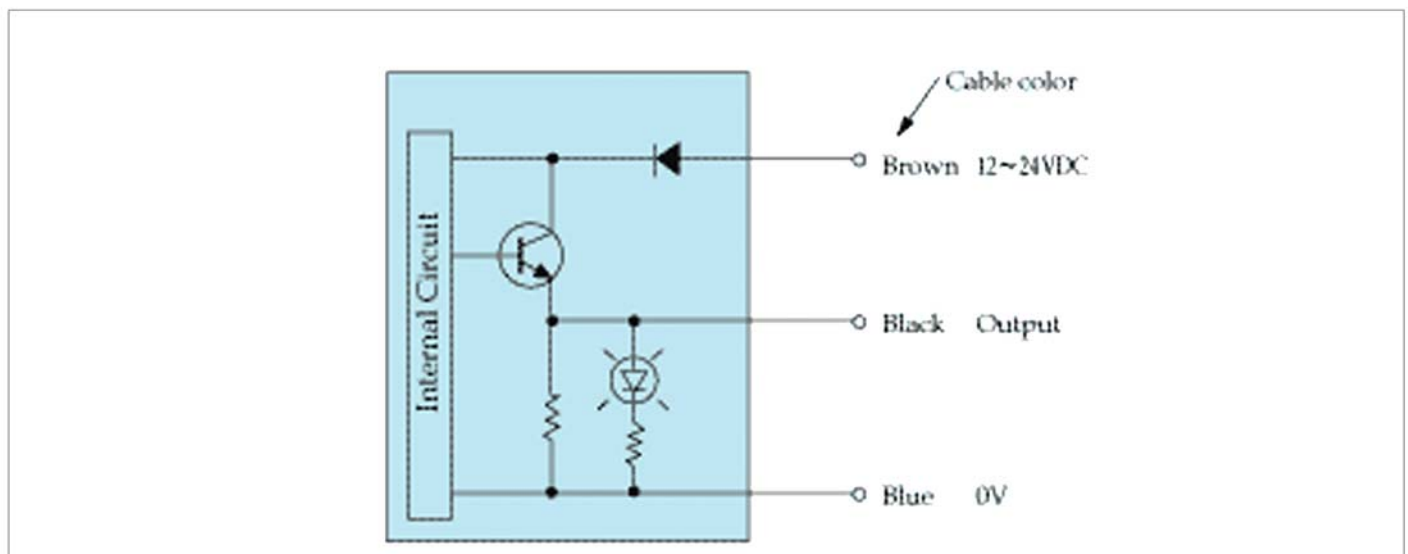


# F71RAN series

- Analog output type sensor with fine resolution
- Fiber optic type with very small detection head
- 4 turn sensitivity VR with an indicator that enables fine adjustment.
- Using the red LED enables light-On check.
- Combined with different fiber units, allows various controls.



## OUTPUT CIRCUIT



## SPECIFICATIONS

Model	F71RAN
Detection method	By Fiber optic cable
Range	Depends on fiber optic cables
Power supply	12 to 24VDC±10%, ripple 10% (Max.)
Current consumption	26mA(Max.)
Output mode	Analog output(voltage)
Rating	2-8V
Operating mode	Light intensity analog
Response time	Up 2→8V 10ms(Max.) Down 8→2V 25ms(Max.)
Temperature drift	0.3%/°C (Max.) at -10~+50°C
Output ripple	80mV(Max.)
Light source	Red LED(680nm)
Indicators	Power : Green LED, Light intensity : Orange LED
Materials	Case: Heat-proof ABS, Cover: Polycarbonate
Cable	Flying lead(Outer dia 4.8mm) 2m length
Weight(Max)	90g(with bracket)

## ENVIRONMENT

Ambient light	Withstands 10,000 Lux
Operating temp.	-10~ +55°C
Humidity	35~85% RH
Case protection	IP 40(IEC)
Vibration	10~55Hz, 1.5mm Amplitude 2 Hr, 3 Directions

## DIMENSIONS

