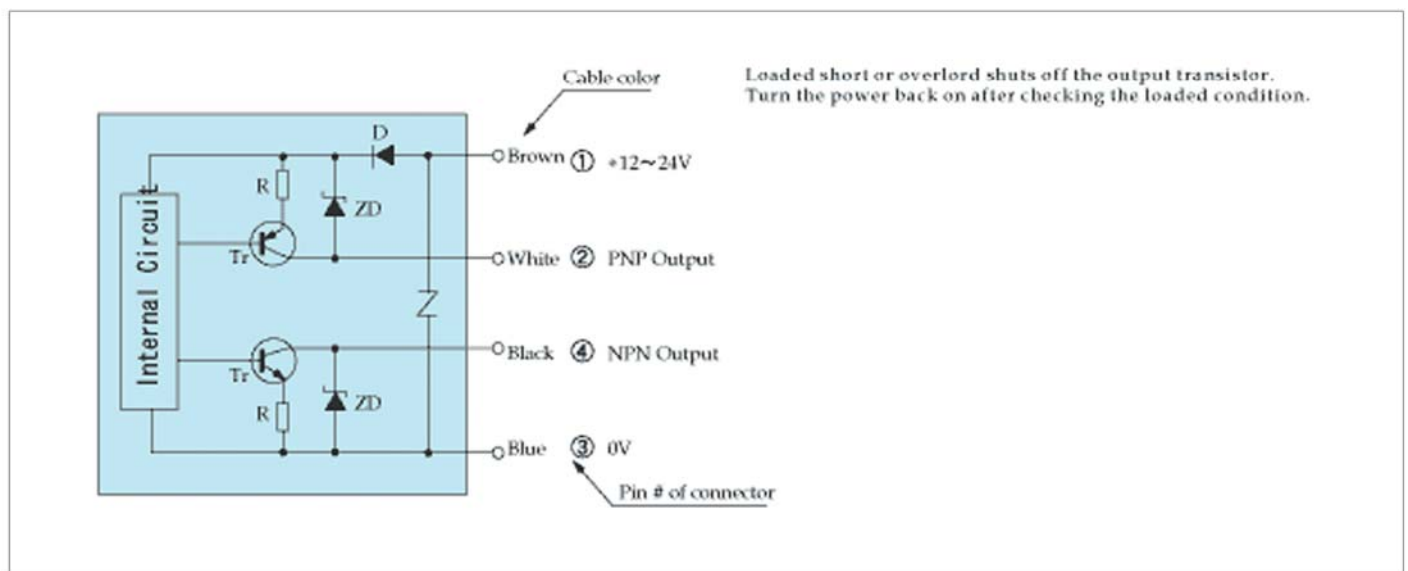


DL-S100/S202 series

- Long range type that can withstand severe environments
- Detection distance 2m
- Stable detection by distance judgement



OUTPUT CIRCUIT



BACKGROUND SUPPRESSION PHOTO SENSORS

DIMENSIONS

Model	DL-S202	DL-S202-J	DL-S100R	DL-S100R-J
Detection method	Distance convergent beam			
Adjustment detecting Range	0.2~2m (200×200 white paper)		0.1~2m (200×200 white paper)	
Detecting Range	0.1~2m (Volume Max.)		0.1~1m (Volume Max.)	
Power Supply	12-24V DC ± 10%, Ripple 10% (Max.)			
Current consumption	30mA (Max.)			
Output mode	NPN/PNP Open collector 2 Output Rating : 100mA (DC 30V) Max. NPN : Sink current. PNP : Source current			
Operating mode	Light-on/Dark-on selectable (By exclusive switch)			
Response time	2ms. (Max.)			
Hysteresis	10% (Max.)			
Light source wave length	Infrared LED (880nm)		Red LED (650nm)	
Sensing cell	Half-dividing photodiode			
LED indicator	Operating LED...Red LED Stability LED...Green LED			
Circuit Protection	Built-in short circuit protection			
Switch	Light-on/Dark-on selectable switch (L.ON side : Light-on, D.ON side : Dark-on)			
Adiuster volume	NEAR-FAR : Optical distance adjustment volume			
Material	Case , Lens : Polyarylate			
Connection	Flying lead (Outer dia 4mm) 2m length, 0.2sq×4 wires	Cable (Outer dia 4mm)0.3m with connector M8 (4 Pins)	Flying lead (Outer dia 4mm) 2m length, 0.2sq×4 wires	Cable (Outer dia 4mm)0.3m with connector M8 (4 Pins)
Weight (Max.)	100g (Max.)	60g (Max.)	100g (Max.)	60g (Max.)