

F71CR series

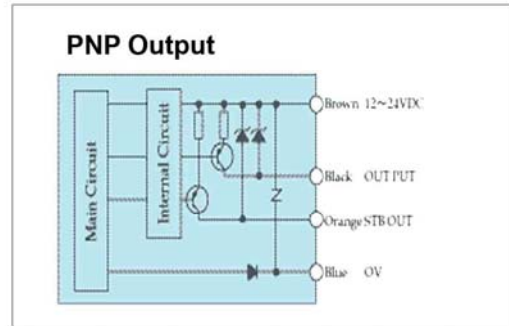
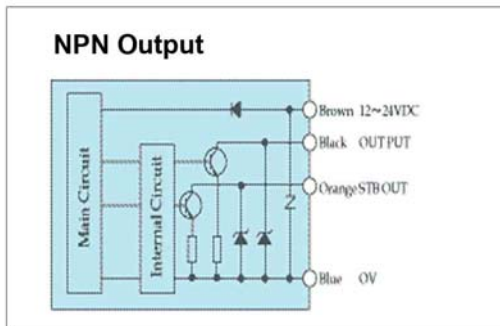
FIBER OPTIC SENSORS



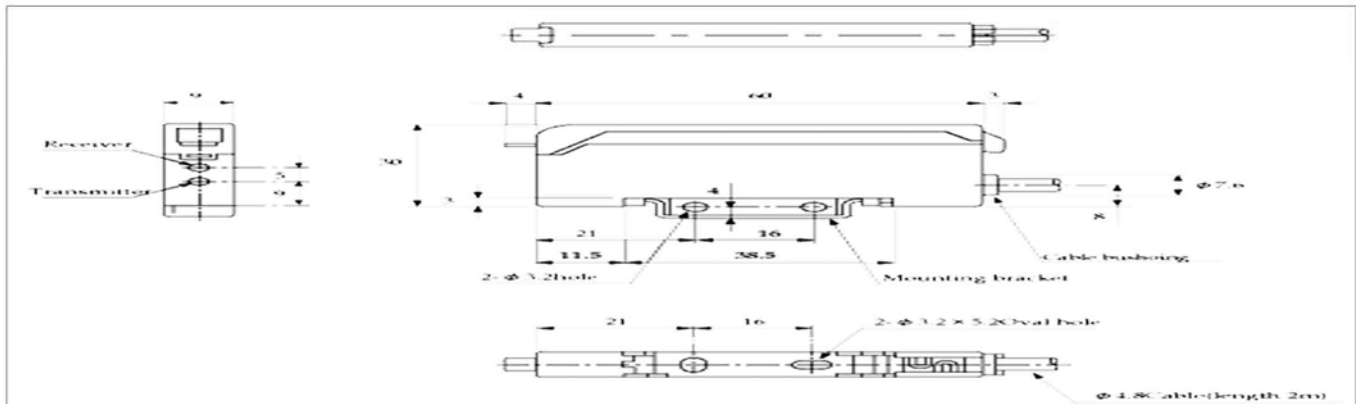
- This is an ultra thin type and therefore it does not need a large space even when more than two units are installed close to each other. in addition to this, an eight turn sensitivity adjustment is used, which enables fine setting by looking directly at the indicator.

- Using the optical transfer technology for the first time in the industry, the Anti Mutual Interference function for up to 8 units and the turbo function are built in.

CIRCUITS



DIMENSIONS



SPECIFICATIONS

Model	F71CR
Detection method	Through-beam, Reflection (By fiber unit)
Range	Reflection FR5BC: 100mm (10x10cm white paper) Through-beam FT5BC: 270mm
Power supply	12-24V DC \pm 10%, Ripple 10%(Max)
Current consumption	35mA (Max.)
Output mode	NPN
Rating	Open Collector: 100mA(DC30V) Max. Residual Voltage 1V (Max.)
Operating mode	Light ON/Dark-ON Selectable
Timer	Timer function selectable
Exterference function	Built-in
Response time	250 μ s
Light source	Red LED (660nm)
Indicators	Operation: Orange LED, Stability: Green LED
Sensitivity adj.	8 Turns VR with indicator
Switch	Light/Dark-On selectable switch L.ON side: Light-O mode D.ON side: Dark-On mode Timer selectable switch NOR. Side: On/Off operating ON.D side: On-Delay operating (40ms) OFF.D side: Off-Delay operating (40ms)
Short protection	Built-in short protection (Normal/Stability output)
Material	Case/Case cover: Polycarbonate
Connection	Flying lead (Outer dia 4.8mm) 2m length 0.2sq \times 4 core
Weight	80g Max (Mounting bracket included)
Notes	(The mode setting when shipment) Sensitivity: Max. Light/Dark-On selectable SW

*In-Line connector type is available (- J type : 0.3m length M8)

ENVIRONMENTAL PERFORMANCE

Ambient Light	Tungsten lamp : Withsatnds 10,000 lx (Max.) Sun light : Withstands 20,000 lx (Max.)
Operating temp.	-25~ + 55C (Storage : -40~ +70C)
Humidity	35 to 85% RH
Noise	By Noise simulator Power line: 500V Cycle : 10ms, Pulse duration 1 μ s Radiation: 1kV Cycle: 10ms, pulse duration 1 μ s
Vibration	10Hz to 55Hz, 1.5mm Amplitude, 2 Times, 3 direction
Shock	100m/s ² 3 Times, 3 direction
Dielectric withstanding	AC1, 000V 1 minute
Insulation resistance	500VDC, 20M Ω (Max.)