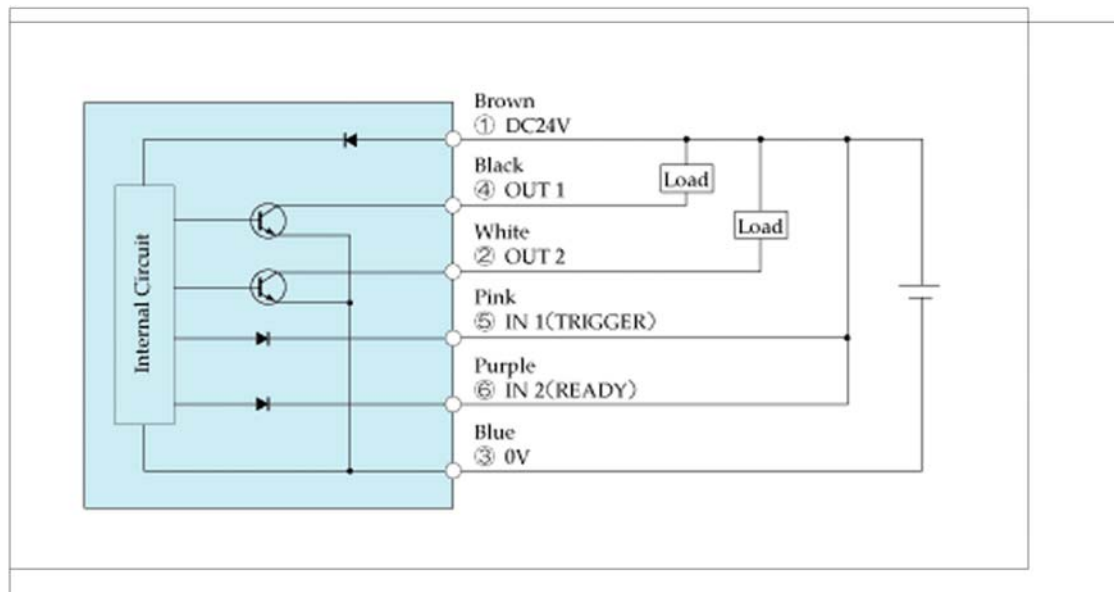


VS-S series

- Unique, compound eyes sensor
- 768-point compound eyes and projected pulse floodlight detect the object's size, area, quantity and location.



OUTPUT CIRCUIT



SPECIFICATIONS

Models	VS-S20R	VS-S50RNF
Detecting distance	80 to 200mm	100 to 500mm
Detecting Area(field of view)	100(H) x 75(V) mm at distance 200mm	250 (H) x 180 (V) mm at distance 500mm
Detecting resolution	Detected points within detected area(field of view) 768 point = 32 (H) x 24 (V)	
Minimum detectable object	At distance 200mm, with ZOOM x 4, ϕ 1mm	
Power supply	DC24V \pm 10%, Ripple less than 10%	
Power consumption	Less than 300mA	
Output	NPN Open collector 2 outputs Sink current 50mA Max(DC30V Max.), residual voltage 2V or Less	
Input	Input 2 Points /Rating : 5mA DC24V	
Response time	25 to 55ms(depending on processing time)	
Mirror surface rejection	Yes	No
Light source(wave length)	Red LED (639nm)	
Receiver element	Photo diode array	
Display	LCD Display	
Operating switch	Push-button switch x 3 (UP, Down, Enter)	
Material	Body: Aluminum / Lens: Acrylic: Front and back panel: ABS	
Wiring	6-pin water-proof plastic connector	
Weight	Apx. 250g	
Accessories	Cable with connector (0.2mm 2 x 6 Core, Cord 2m length), Users manual	
Operating temperature	-10 to +45°C	

DIMENSIONS

