



New type of sensor with built-in amplifier.

Slim, compact side view type.

The GN is a rugged reliable miniature cost effective sensor for today's modern machinery.

The GN incorporates a new generation of components to insure many years of availability.

The inverter optical measures circuit is installed

Protective construction IP67

With excellent in the visibility and high luminance display light.

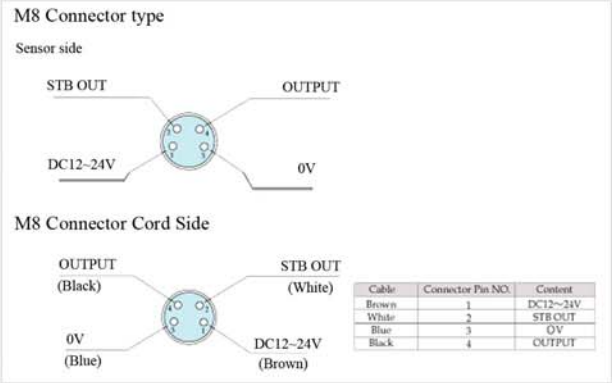
SPECIFICATION

Model	Cable Type	GN-T10RS	GN-T7S	GN-M2RS	GN-R40RS	GN-R30S	GN-R7S
		GN-T10RSPN	GN-T7SPN	GN-M2RSPN	GN-R40RSPN	GN-R30SPN	GN-R7SPN
	Connector	GN-T10RS-J	GN-T7S-J	GN-M2RS-J	GN-R40RS-J	GN-R30S-J	GN-R7S-J
		GN-T10RSPN-J	GN-T7SPN-J	GN-M2RSPN-J	GN-R40RSPN-J	GN-R30SPN-J	GN-R7SPN-J
Detection		Through beam		Retro reflection	Diffuse reflection		
Range (Max.)		10m	7m	0.03~1.3m	400mm	300mm	70mm
Mini. Detecting object		ø6mm Opaque			200 × 200mm White paper		10x10cm White paper
Power supply		12 to 24VDC±10%, Ripple 10% Max.					
Current consumption		Trns. : 22mA (Max.) Rcvr. : 15mA (Max.)		25mA (Max.)			
Output mode	Output	NPN; Rating : Sink current 100mA (DC30V) Max., Residual voltage 1V Max.					
		PNP; Rating : Source current 100mA (DC30V) Max., Residual voltage 2V Max.					
Stability		NPN; Rating : Sink current 50mA (DC30V) Max., Residual voltage 1V Max.					
		PNP; Rating : Source current 50mA (DC30V) Max., Residual voltage 2V Max.					
Operating mode		Light-on/Dark-on selectable					
Response time		0.5ms Max.					
Operating angle		10°(Receiver side)		30°(Reflector side)			
Hysteresis		—————				10%(Max.)	
Light source		Red LED (700nm)	Infrared LED (880nm)	Red LED (640nm)		Infrared LED (880nm)	
Indicators		Trns.: Power: Orange LED Rcvr.: Operating: Orange LED Stability: Green LED		Operating: Orange LED Stability: Green LED			
Circuit protection		Short circuit protection built-in					
Cable		Cable type : 2m, Connector type(-J) : M8 4pin					
Weight	Cable type	Trns, Rcvr 60g each		60g			
	Connector	Trns, Rcvr 10g each		10g			

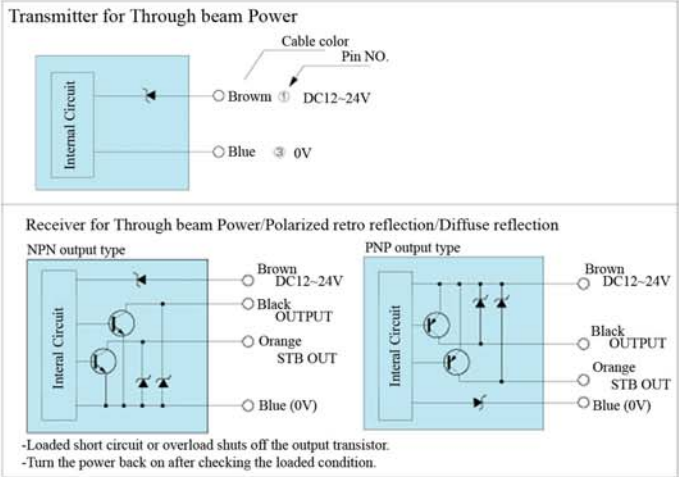
ENVIRONMENTAL PERFORMANCES

Ambient light	Withstands 5,000lx
Operating temp.	-25~ + 55°C
Humidity	35 ~ 85% RH
Case protection	IP67
Vibration	10~55Hz, 1.5mm Amplitude, 2 hours X.Y.Z. direction
Impact	500m/s ² , 3 times, X.Y.Z. direction

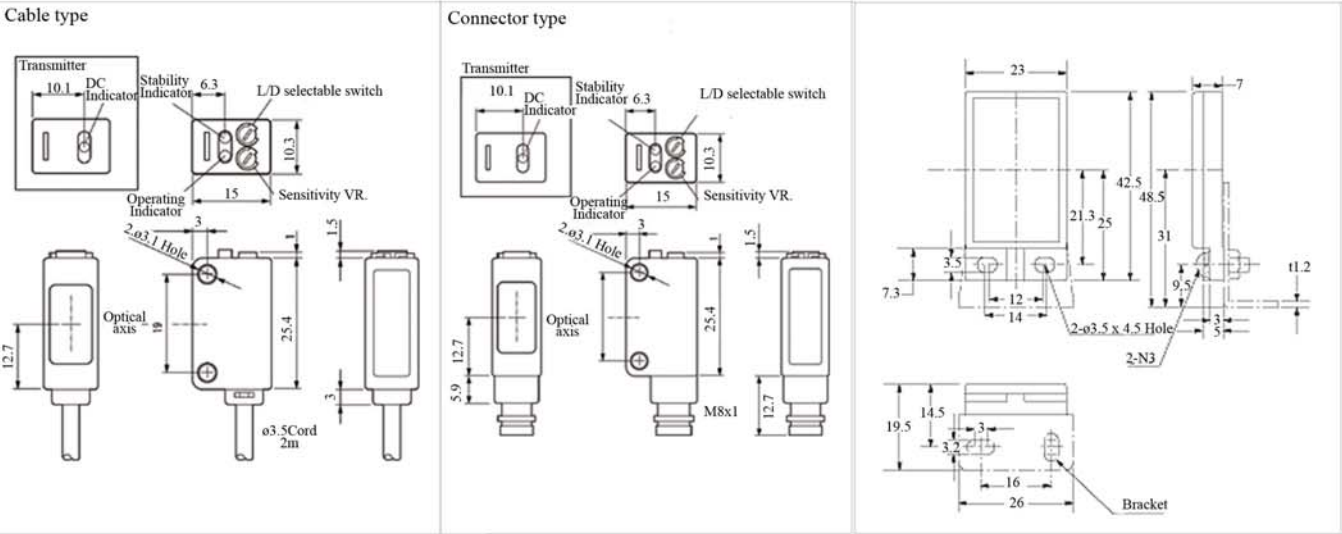
HOW TO CONNECT



OUTPUT CIRCUIT



DIMENSIONS



PINHOLE MASKS

Type	Models	Hole dia.	Detecting Distance
Pinhole Plate (SUS)	GNP1	ø1	40mm
	GNP2	ø2	1m
	GNP3	ø3	3m
	GNP5-1	5x1	2m