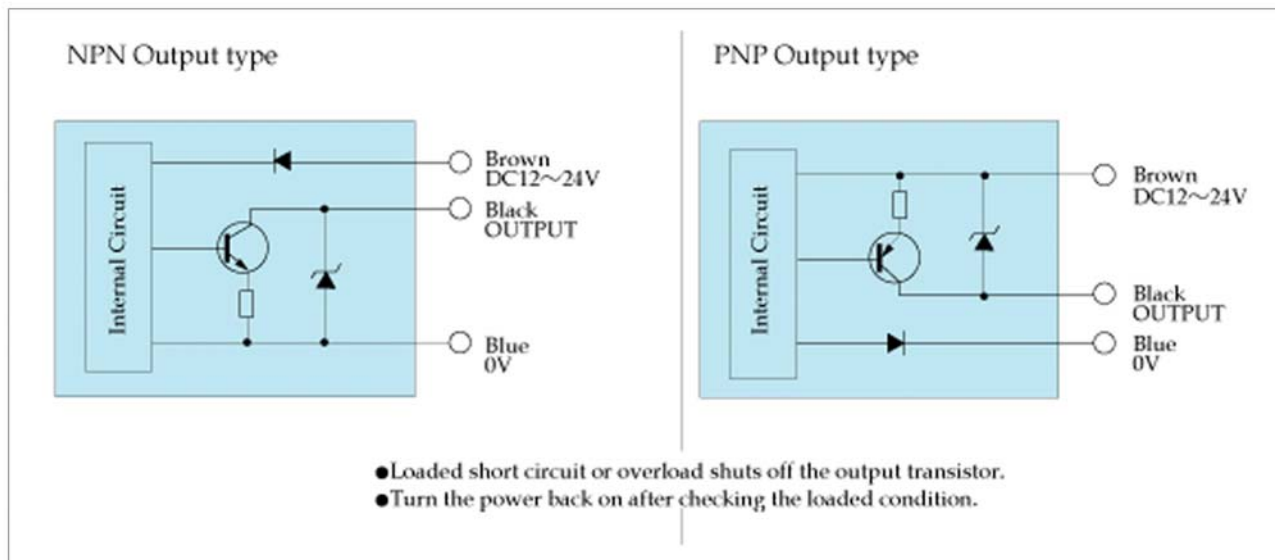


GM series

- Equipped with inverter protection circuit
- Because of big beam spot, easy to detect the PCB with hole



OUTPUT CIRCUIT



SPECIFICATIONS

Models	NPN type	GM-S5RT(-J)	GM-Z5RT(-J)
	PNP type	GM-S5RTPN(-J)	GM-Z5RTPN(-J)
Detection		Diffuse reflection	Convergent beam
Range		50mm	50mm
Detecting object		(Object: 10cm x 10cm White paper)	(Object: 5cm x 5cm White paper)
Power supply		12 to 24VDC \pm 10%, Ripple 10% (Max.)	
Power consumption		32mA (Max.)	30mA (Max.)
Spot diameter		ϕ 20mm at 20mm distance	ϕ 4mm at 20mm distance
Output mode		NPN open collector, Rating: Sink current 100mA(30VDC) Max. PNP open collector, Rating: Source current 100mA(30VDC) Max.	
Operating mode		Light-on	
Response time		1ms Max.	
Light source		Red LED(644nm)	
Indicators		Operating (Orange), Stability (Green)	
Sensitivity		SENS: Potentiometer(Receiver)	
Circuit protection		Short circuit protection built-in	
Material		Case: Polyarylate, Lens: Acrylic	
Cable		Flying lead 2m(Outer dia. 3.9mm) *1	
Weight (Max.)		50g	
Others		*1 M8 connector type is available. (-J)	

DIMENSIONS

