

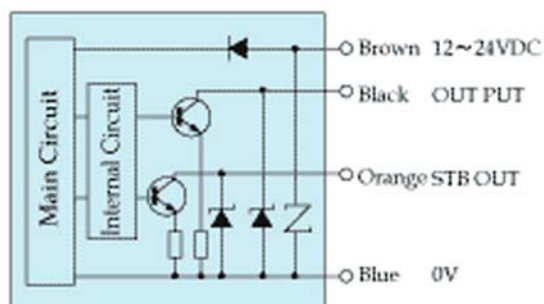
GA-MT1R SERIES

- Simple operation only one pushing button
- Permeability high, transparent object easy is set one-touch.
- A strong optical system is adopted for the minute difference detection of the transparent medium (DRS method)
- The reflector only for the transparent packing detection is developed.

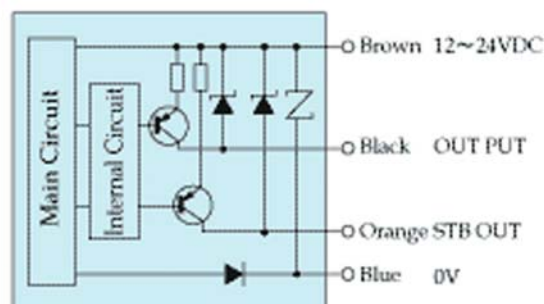


OUTPUT CIRCUIT

NPN Output type
GA-MT1R



PNP Output type
GA-MT1RPN



SPECIFICATIONS

Models	GA-MT1R	GA-MT1RPN
Detection	Polarized retro-reflector	
Range	10cm to 1m(when K-MT4 reflector is used)	
Power supply	12 to 24VDC±10%, ripple 10% (Max.)	
Current consumption	35mA(Max.)	45mA(Max.)
Control output	NPN open collector	PNP open collector
Rating	Sink current 100mA DC30V(Max.)	Source current 100mA DC30V(Max.)
Stability output	NPN open collector	PNP open collector
Rating	Sink current 50mA DC30V(Max.)	Source current 50mA DC30V(Max.)
Operating mode	Light-on/Dark-on selectable	
Response time	1ms (Max.)	
Light source	Red LED(700nm)	
Indicators	Operation: Orange LED, Stability: Green LED	
Circuit protection	Short circuit protection built-in	
Materials	Case : Polyarylate, Lens : Acrylic	
Cable	Flying lead 2m length	
Weight (Max.)	60g(reflector :15g)	

DIMENSIONS

