

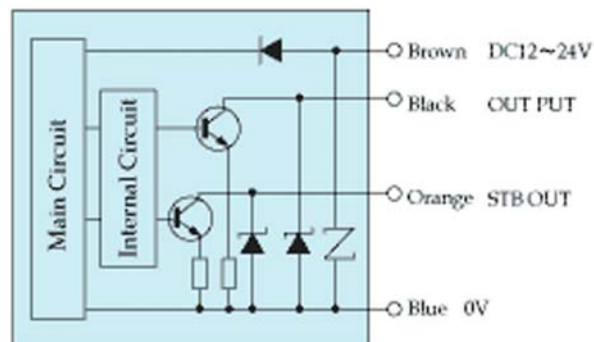
GA series

- Simple operation only one pushing button
- Sensitivity can be set without work.
- The inverter optical measures circuit is installed.
- Protective construction IP67

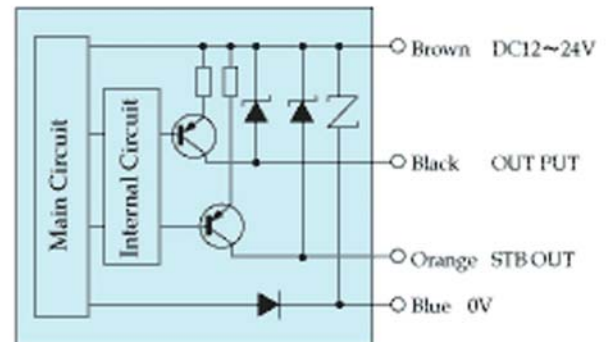


OUTPUT CIRCUIT

NPN Output type
GA-M3R GA-S05R



PNP Output type
GA-M3RPN GA-S05RPN



SPECIFICATIONS

Models	GA-S05R	GA-S05RPN
Detection	Diffuse reflective type	
Range	50cm (Detecting object: 30cm x 30cm white paper)	
Power supply	12 to 24VDC±10%, ripple 10% (Max.)	
Current consumption	35mA(Max.)	45mA(Max.)
Control output	NPN open collector	PNP open collector
Rating	Sink current 100mA DC30V(Max.)	Source current 100mA DC30V(Max.)
Stability output	NPN open collector	PNP open collector
Rating	Sink current 50mA DC30V(Max.)	Source current 50mA DC30V(Max.)
Operating mode	Light-on/Dark-on selectable	
Response time	1ms (Max.)	
Light source	Red LED(700nm)	
Indicators	Operation: Orange LED, Stability: Green LED	
Circuit protection	Short circuit protection built-in	
Materials	Case : Polyarylate, Lens : Acrylic	
Cable	Flying lead 2m length	
Weight (Max.)	60g	

DIMENSIONS

