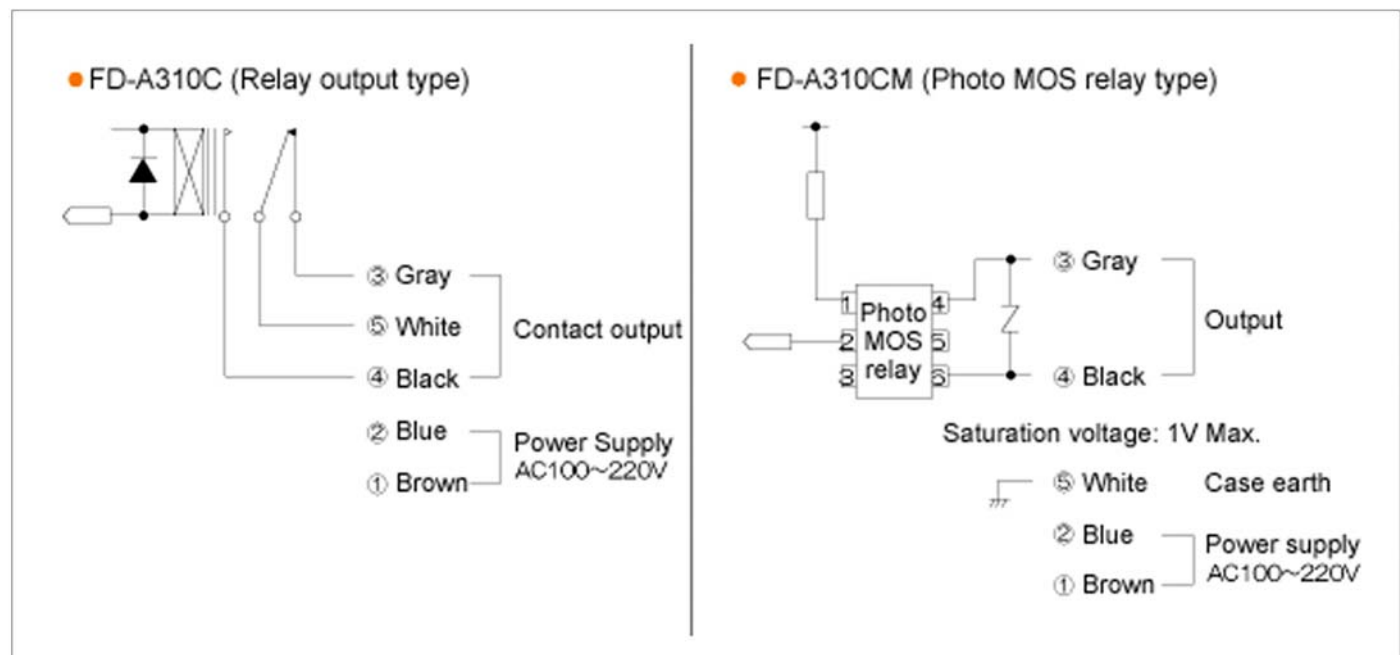


FD-A310C series

- Low cost but high performance
- Withstand 200°C degree without cooling
- Compact and light weight housing



OUTPUT CIRCUIT



HOT METAL DETECTOR

SPECIFICATION

| | | |
|-------------------------|---|--|
| Model | FD-A310C | FD-A310CM |
| Output mode | Relay output | Photo MOS relay output |
| Control | Output | ON-OFF control (built-in Light ON/Dark ON switch) |
| | Rating | Transfer contact MAX 5A 250V AC (Resistance load) |
| | | 1a MAX 80mA 250V AC.DC (Resistance load) Saturation voltage = 1V Max. |
| Response time | 10ms Max. | 5ms Max. |
| Light receiving element | Ge photodiode | |
| Sensitivity wavelength | 0.8 to 1.8 μ m | |
| Sensitivity control | Digital switching mode, 10 positions (Non-stopper rotation) | |
| Indicators | Power: (P.L), Operation: (OP.L), Receiver level: 3 popints | |
| Power Supply | AC100 to 220V +10% - 15% 50/60Hz | |
| Power consumption | 5W Max. | |
| Connection | Connector cable 2m / 0.75mm ² × 5cores (Outer dia. 10.5) | |
| Usage ambient temp. | Optical head, Fiber unit: -25 to +200°C Amp unit: -25 to +55°C (Non freezing) | |
| Storage temp. range | -40 to +70°C (Non condensing) | |
| Usage ambient humidity | 35 to 85%RH (Non condensing) | |
| Insulating resistance | DC500VM 20MO Min. | |
| Voltage endurance | AC1500V 1minute | |
| Resistance to vibration | 10 to 55Hz, Double oscillation 1.5mm X, Y, Z 3ways 2hours on each | |
| Shock endurance | 490m/s ² X, Y, Z 3ways 3times on each | |
| Protective construction | IP54 | |
| Weight | 950g (with accessories) | |

DIMENSIONS

