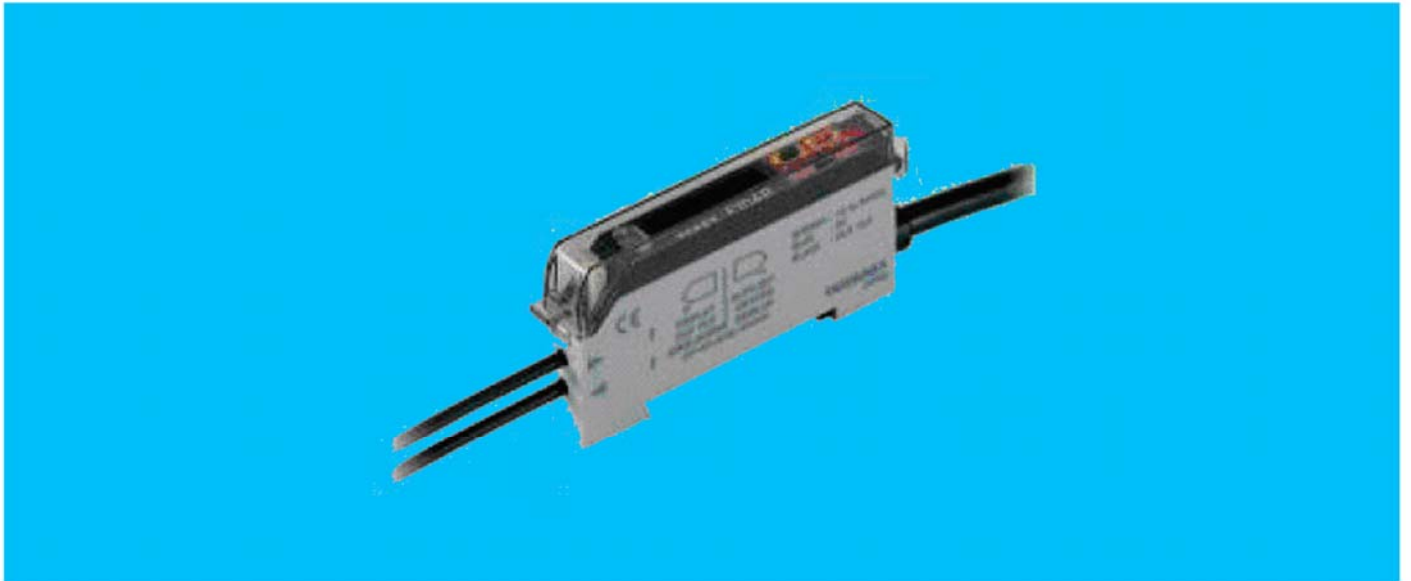
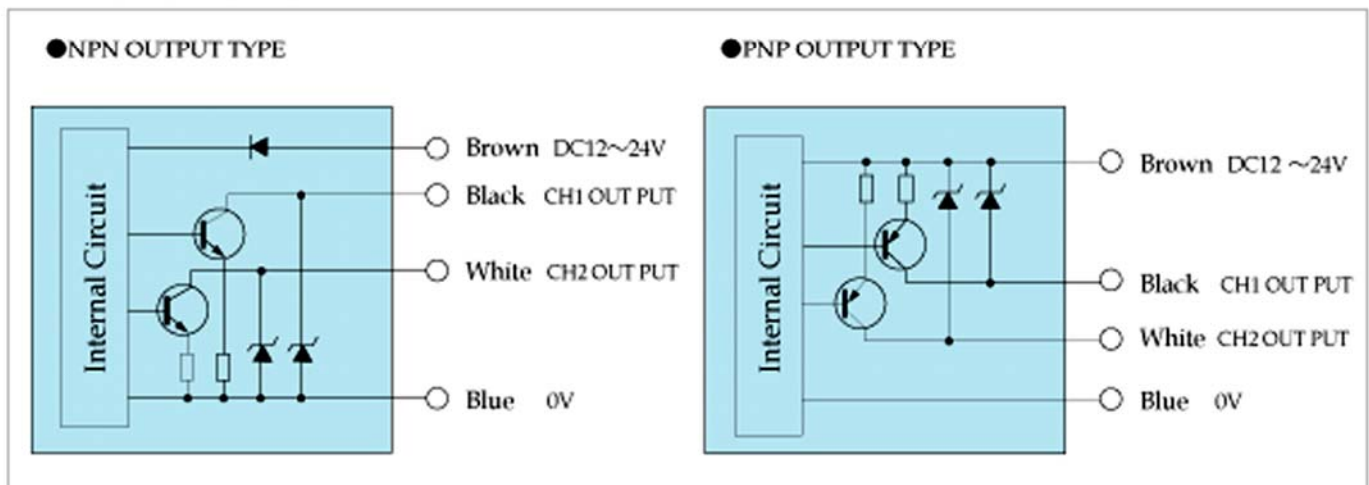


F70T series

- Equipped with two output points
- Improved detection capabilities and advanced functions



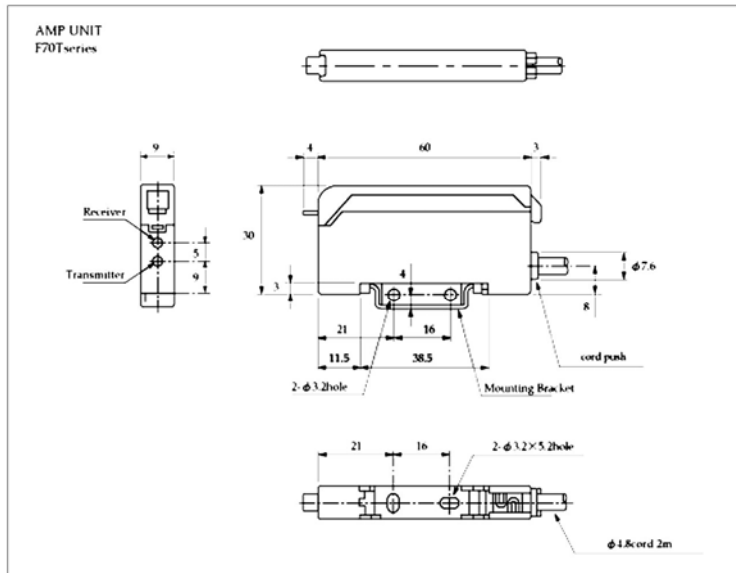
OUTPUT CIRCUIT



SPECIFICATIONS

	NPN	F70TR	F70TG	F70TB	F70TW
	PNP	F70TRPN	F70TGPN	F70TBPN	F70TWPN
Detection	Through beam/Reflective(by fiber unit)				
Range	Depending on fiber unit				
Power supply	12 to 24VDC±10%, Ripple 10% Max.				
Current consumption	NPN type: 39mA, PNP type: 50mA				
Output mode	NPN	CH1: Open collector output, Rating : Sink current 100mA (DC30V) Max. CH2: Open collector output, Rating : Sink current 50mA (DC30V) Max.			
	PNP	CH1: Open collector output, Rating : Source current 100mA (DC30V)Max. CH2: Open collector output, Rating : Source current 50mA (DC30V)Max.			
Operating mode	Light-On/Dark-On selectable				
Time delay	OFF delay 40ms fixed				
Response time	1ms Max.				
Light source	Red LED(680nm)	Green LED(565nm)	Blue LED(470nm)	WHITE(450~750nm)	
Indicators	Operating: CH1 = Green LED, CH2 = Orange LED				
Display	LCD with back light				
Switch	Setting button : 2 Operating changeover switch : RUN / SELECT / MODE				
Teaching system	Full auto teaching/Auto teaching				
Teaching input	Setting button / External input				
Circuit protection	Built-in				
Materials	Polycarbonate				
Cable	Flying lead (Outer dia 4.8mm) 2m length				
Weight (Max.)	80g				
Light source	Red LED(680nm)				

DIMENSIONS



HOW TO CONNECT

