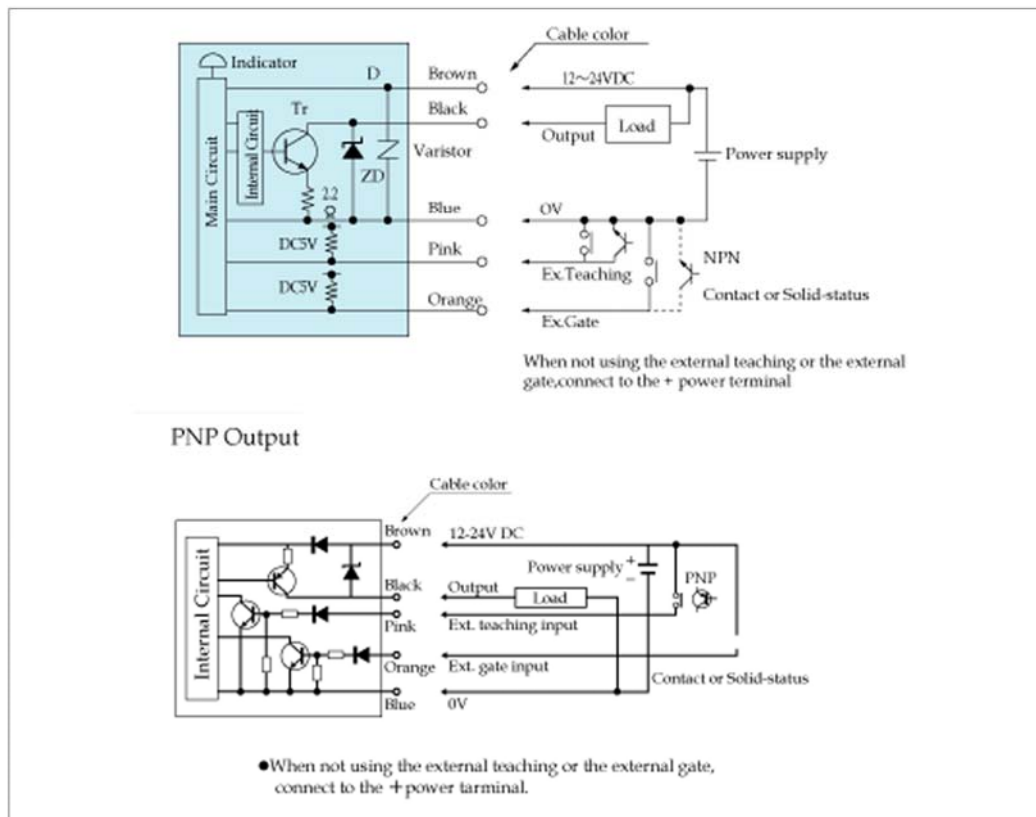


CS-R10 series

- Fiber Sensor Type using external light
- Uses the "One Touch Teaching" method hence easy adjustment.
- Fine colour difference can be discriminated by RGB colour element



OUTPUT CIRCUIT



SPECIFICATIONS

Models	CS-R10	CS-R10PN
Detection Method	R.G.B colour difference discrimination by fiber unit	
Range	2mm-5mm from the fiber apex	
Power Supply	12-24V DC \pm 10% Ripple 10% or less	
Current Consumption	40mA (Max.)	
Output Mode	open collector NPN output Rating: Sink current 100mA, 40V DC (Max.) Remain voltage 1V max.	open collector NPN output Rating: Source current 100mA, 40V DC (Max.) Remain voltage 2V max.
Operating Mode	Normal/Inverting Selectable (By Switch)	
External Set Input	Zero-voltage input (Contact, Solid-state)	
External Gate Input	Zero-voltage input (Contact, Solid-state)	
Response Time	50msec (Max.)	
Adjustment	Sensitivity range adjusted by digital switch 0 to 7 (8 levels)	
Indicator	Operation:Red LED. Set:Red LED, Power:Green LED	
Switch (SW)	Sensitivity SW, Set SW, Operation changeable SW	
Detecting Color	Teaching method 1-color (EEPROM memory)	
Protection Function	Short protection, Incorrect Power connection protected	
Material	Case:Heat resistive ABS Cover:Polycarbonate	
Connection	Flying lead (Outer dia 4.5) 0.2sq \times 5 wires, 2m	
Weight	90g Max. (Mounting bracket included)	

DIMENSIONS

