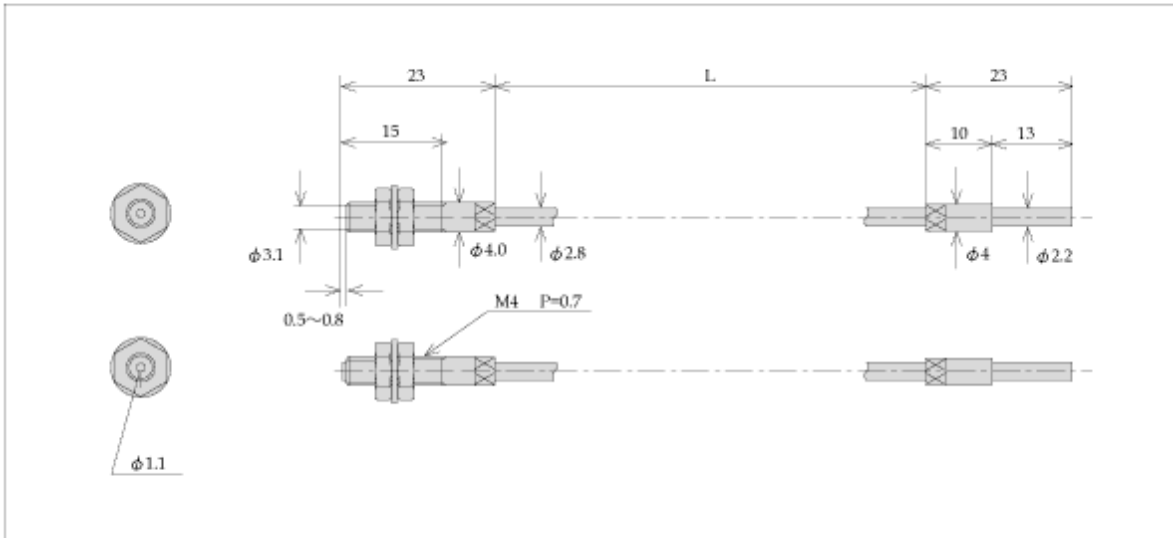


Model **GT500J series**

■ DIMENSIONS



Model		GT505J	GT510J	GT520J
Fiber Length (m)		0.5	1	2
Ambient temperature		Fiber end □ F-60~+230°C External cover □ F200°C		
Fiber Material	External cover	Silicon tube		
	Inside fiber	Glass		
Fiber Diameter	Cable	2.8		
	Inside fiber	Bundle diameter □ F1.1		
Minimum bending radius		50R		
Standard detection object diameter		ø1.0(fine adjustable)		