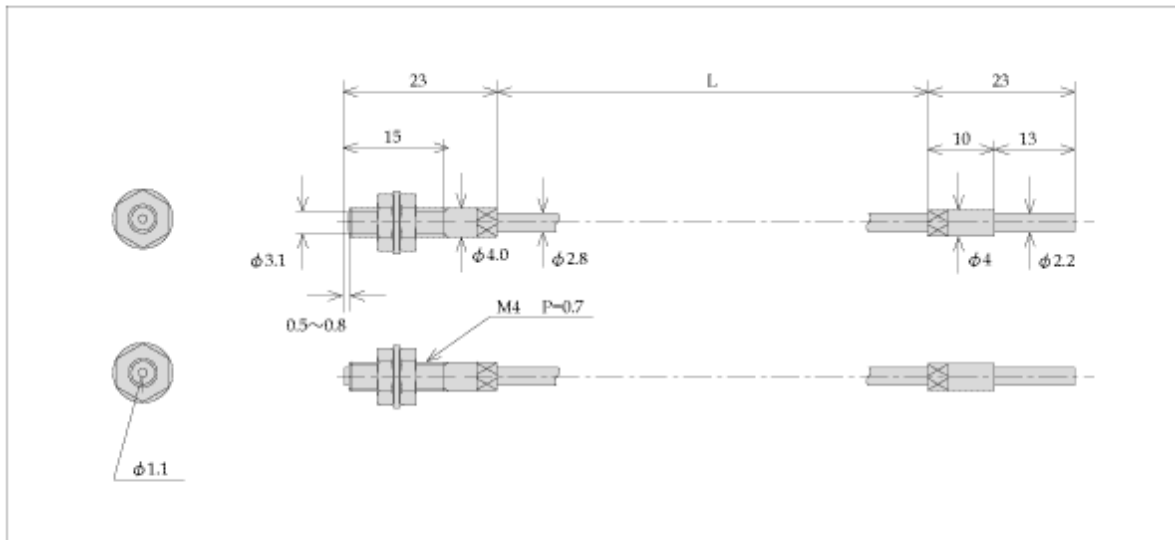


Model **GLT500J series**

■ DIMENSIONS



Model		GLT505J	GLT510J	GLT520J
Fiber Length (m)		0.5	1	2
Ambient temperature		Fiber end : -60~+230°C External cover : 200°C		
Fiber Material	External cover	Fluorine resin		
	Inside fiber	Glass		
Fiber Diameter	Cable	2.8		
	Inside fiber	Bundle diameter : 1.1		
Minimum bending radius		50R		
Standard detection object diameter		$\phi 1.0$ (fine adjustable)		