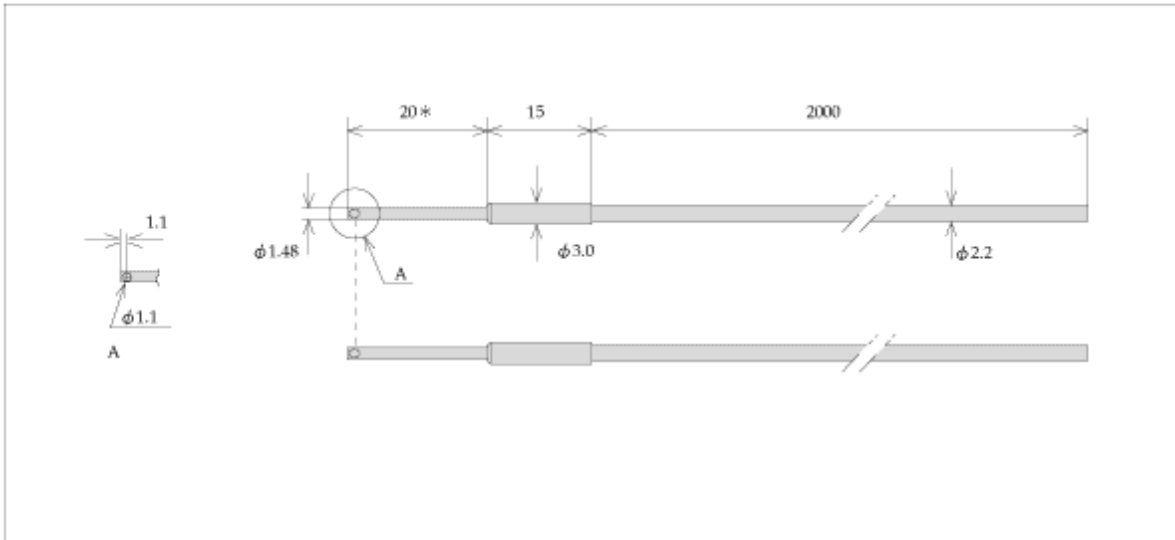


Model	FTSV73BC
-------	----------

■ DIMENSIONS



Fiber Length (m)		2
Ambient temperature		-30~+70°C
Fiber Material	External cover	Polyethylene
	Inside fiber	Plastic
Fiber Diameter	Cable	2.2
	Inside fiber	1.0
Minimum bending radius		30R
Standard detection object diameter		$\phi 1.0$ (fine adjustable)