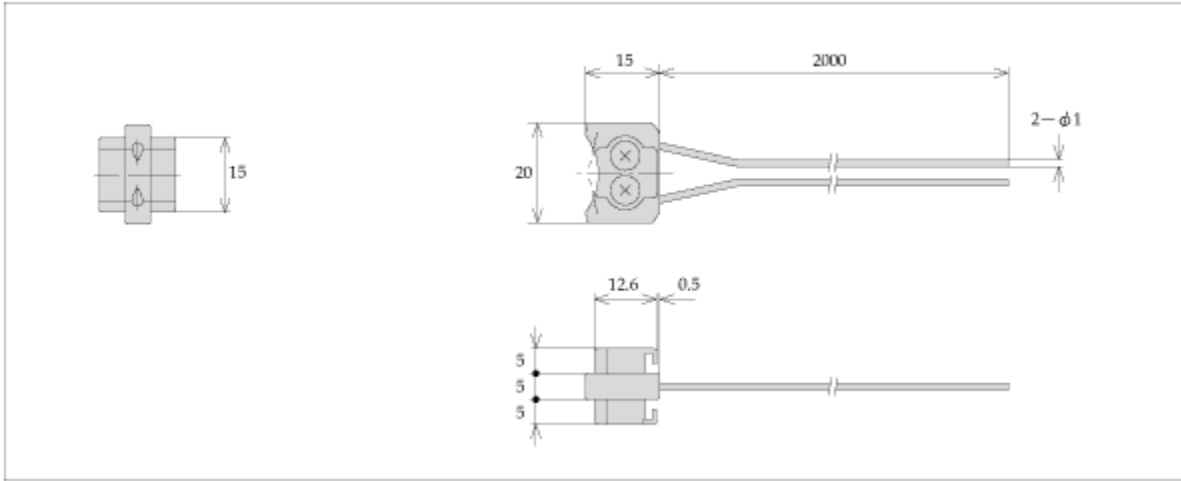


Model	FU901BC
-------	---------

■ DIMENSIONS



Detecting object	Liquid *1
Tube size	ø6 to ø26mm (3mm thick)
Operating temperature	-40°C~+105°C
Humidity	35 to 85%RH
Bending radius	R10mm
Cable length	2m
Material	Case : Polycarbonate Fiber : Plastic
Protection	IP50
Weight	7g
Adaptable amplifier	F70R, F70AR, F71R, F2R

\*1 : With some liquid, such as milky white, it may be undetectable.