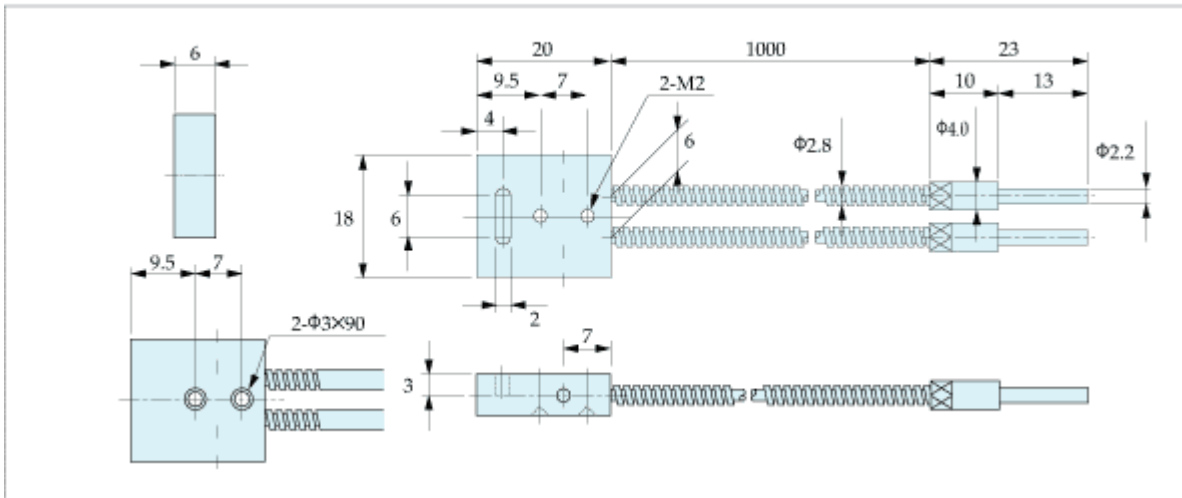


Model	GXZV612BJ
-------	------------------

■ DIMENSIONS



Fiber Length (m)		1
Ambient temperature		-30~+250°C
Fiber Material	External cover	SUS spiral
	Inside fiber	Glass
Fiber Diameter	Cable	2.8
	Inside fiber	Bundle diameter : 1.1
Minimum bending radius		R25
Minimum detection object diameter		-