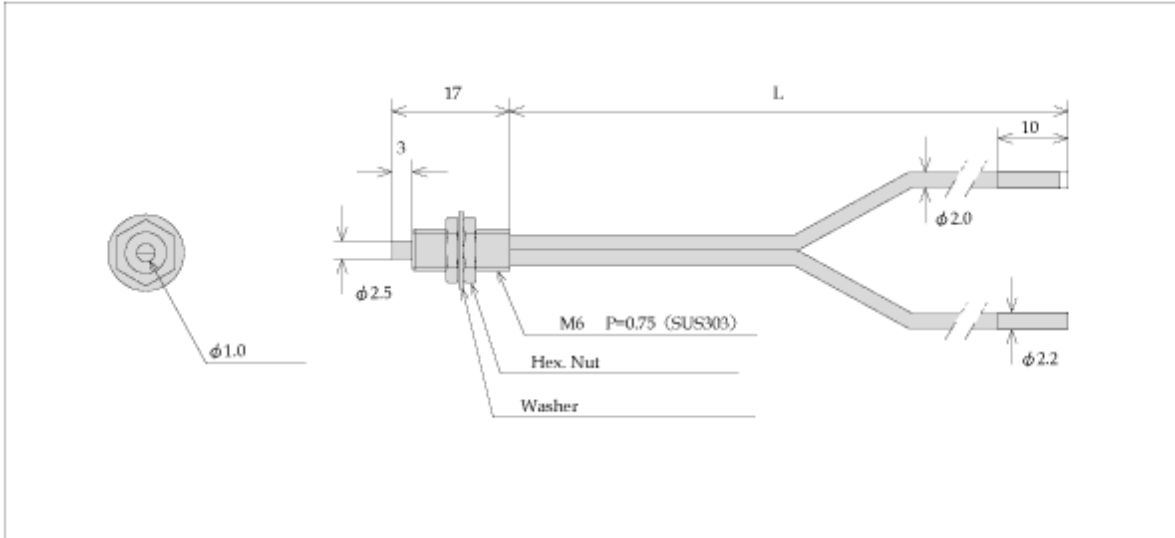


Model	GXK series
-------	-------------------

■ DIMENSIONS



Model		GXK9605	GXK9610
Fiber Length L [mm]		0.5	1
Ambient temperature		-30~+70°C	
Fiber Material	External cover	Poly Vinyl Chloride	
	Inside fiber	Glass	
Fiber Diameter	Cable	2.0	
	Inside fiber	Bundle diameter 1.1	
Minimum bending radius		3.5R	
Minimum detection object diameter		ø0.02	