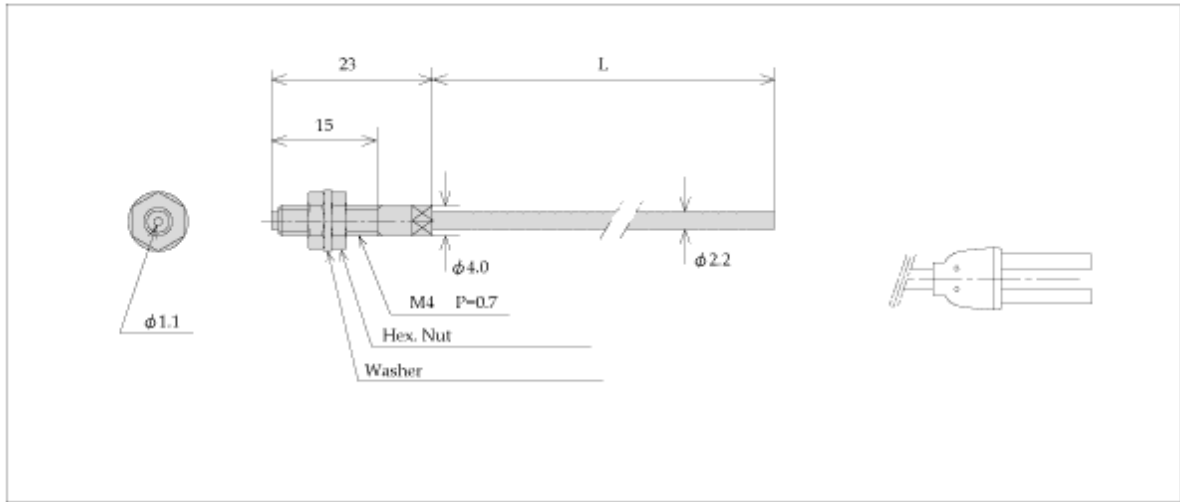


Model	GLX500J series
-------	-----------------------

■ DIMENSIONS



Model		GLX505J	GLX510J	GLX520J
Fiber Length (m)		0.5	1	2
Ambient temperature		Fiber end : -60~+230°C External cover : 200°C		
Fiber Material	External cover	Fluorine resin		
	Inside fiber	Glass		
Fiber Diameter	Cable	2.2		
	Inside fiber	Bundle diameter : 1.1 half divided		
Minimum bending radius		R25		
Minimum detection object diameter		φ0.015		