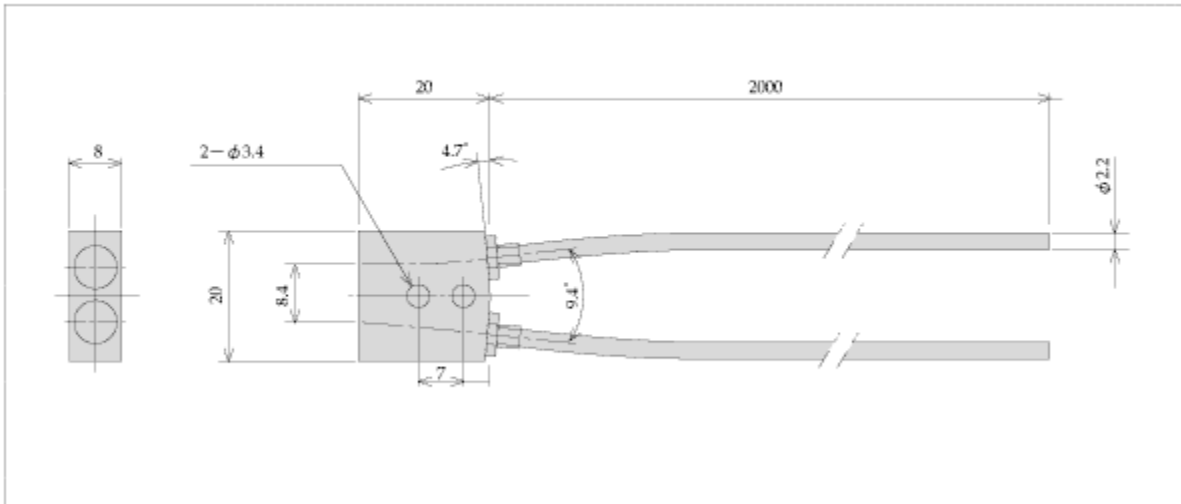


Model	FZ1901YBC
-------	-----------

■ DIMENSIONS



Fiber Length (m)		2
Ambient temperature		-30~+70°C
Fiber Material	External cover	Polyethylene
	Inside fiber	Plastic
Fiber Diameter	Cable	2.2
	Inside fiber	1.0
Minimum bending radius		R1
Minimum detection object diameter		ø0.015