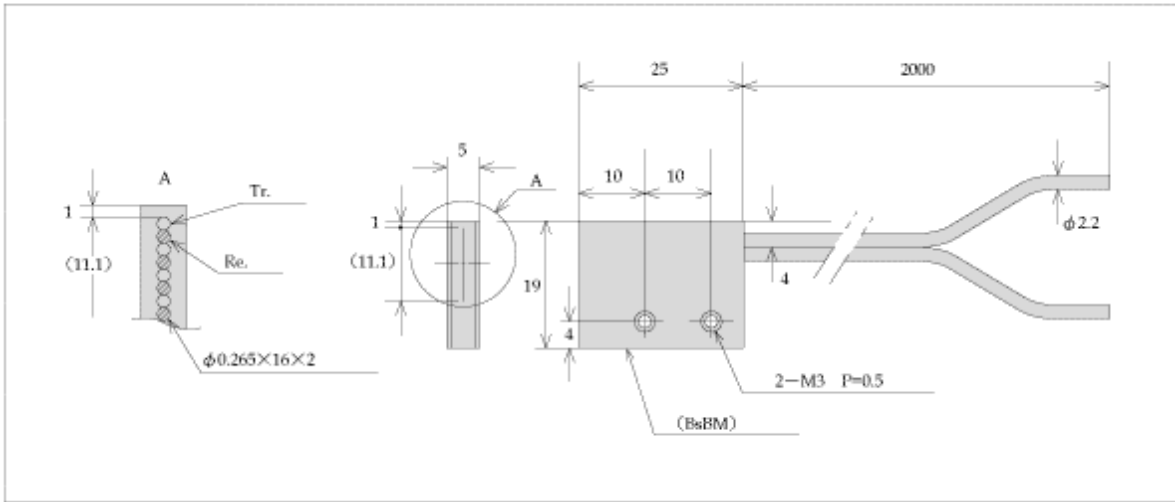


Model	FRL732BC
-------	----------

■ DIMENSIONS



Fiber Length (m)		2
Ambient temperature		-30~+70°C
Fiber Material	External cover	Polyethylene
	Inside fiber	Plastic
Fiber Diameter	Cable	2.2
	Inside fiber	0.265 × 16
Minimum bending radius		30R
Minimum detection object diameter		ø0.015