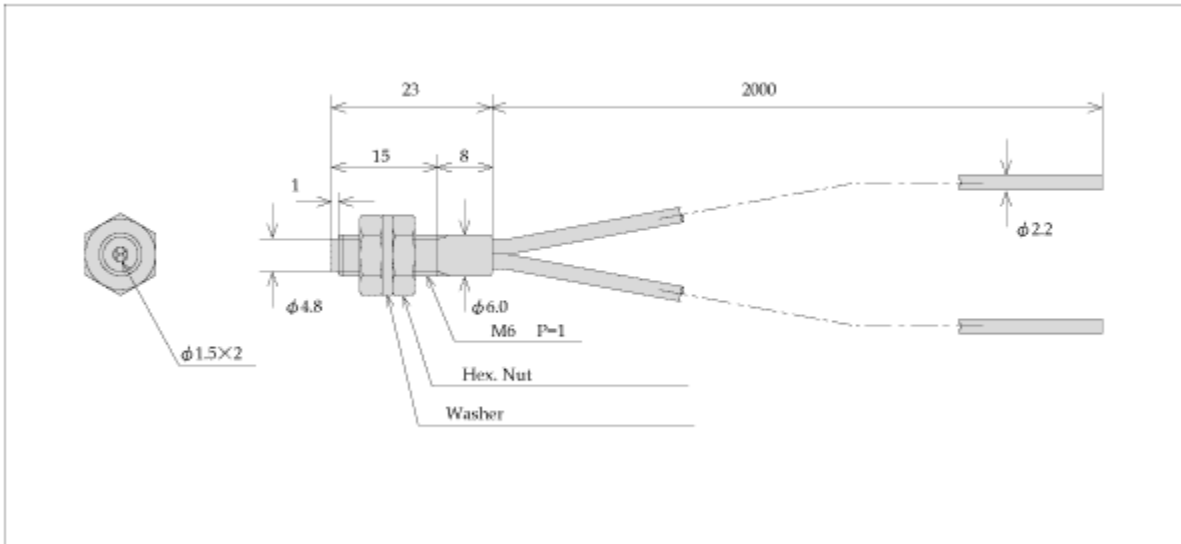


Model	<b>FR105BC</b>
-------	----------------

■ DIMENSIONS



Fiber Length (m)		2
Ambient temperature		-30~+70°C
Fiber Material	External cover	Polyethylene
	Inside fiber	Plastic
Fiber Diameter	Cable	2.2
	Inside fiber	1.5
Minimum bending radius		45R
Minimum detection object diameter		ø0.015