

# RG60U-PCM ISOLATION CARD

## TRIMPOT CALIBRATION

### MAX

Determines the motor speed when the speed adjust potentiometer is turned full CW. It is factory set for maximum rated speed.

To calibrate, set the MAX trimpot to full CCW. Turn the speed adjust pot to full CW. Adjust the MAX trimpot until the desired maximum motor speed is reached.

### OFFSET

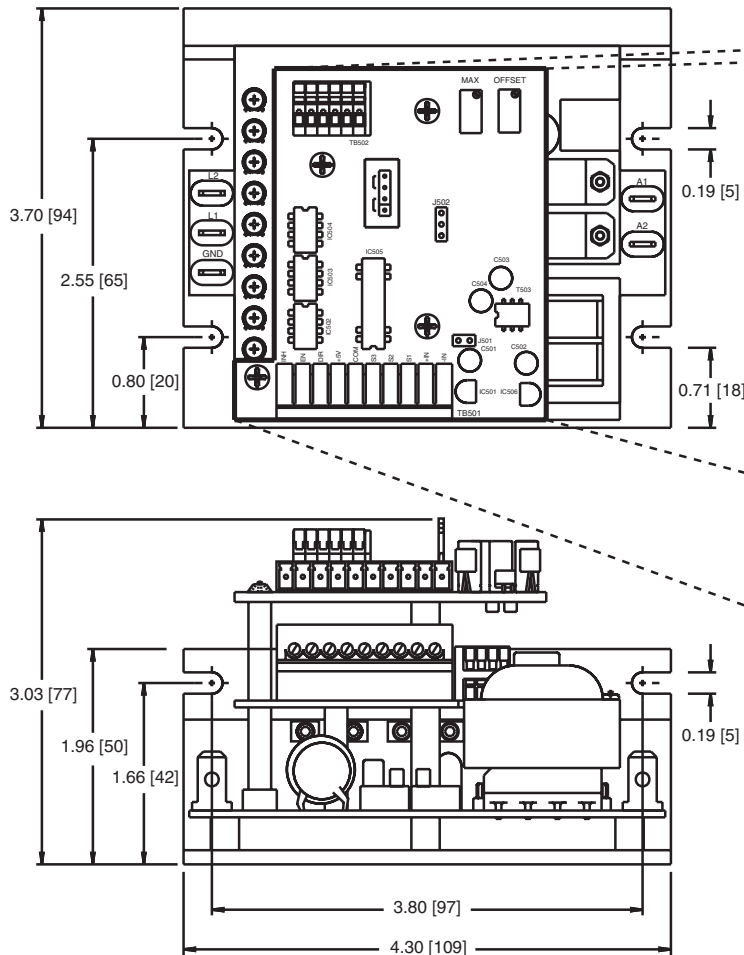
This trimpot is set at the factory and should not need adjustment. Do not adjust this trimpot unless you are experiencing drift problems. Contact your Minarik representative before attempting adjustment.

The RG60U-PCM has a factory-set offset to guarantee stability in a stopped motor.

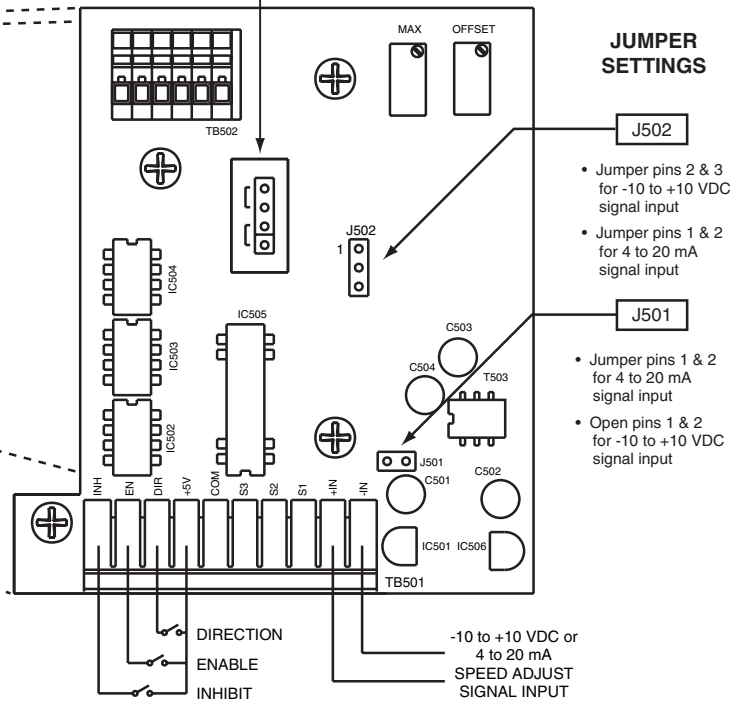
To calibrate the **OFFSET** trimpot:

1. Ensure that the input power is turned OFF.
2. Set the input signal to zero.
3. Set the OFFSET trimpot to the approximate midrange or 50%.  
*Note: This is a 10-turn potentiometer. After setting the trimpot to zero full CCW, make 5 full rotations to reach midrange, or 50%.*
4. Apply power and observe the motor.
5. If the motor shaft drifts, or slowly rotates with no signal applied, adjust the OFFSET trimpot until the motor shaft stops. The direction and amount of trimpot adjustment depends on the direction of the shaft rotation and connection of the motor leads.

**NOTE** INVERT TERMINALS MUST BE LEFT OPEN WHEN USING THE -PCM CARD OPTION



ALL DIMENSIONS IN INCHES [MILLIMETERS]  
**RG60U-PCM DIMENSIONAL DRAWING**



## SPEED POTENTIOMETER CONNECTIONS

