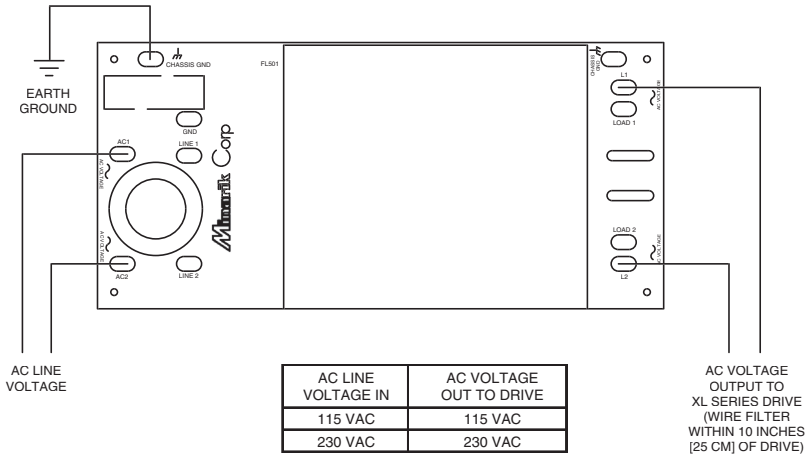


CE15 XL DIMENSIONAL DRAWING  
 ALL DIMENSIONS IN INCHES [MILLIMETERS]  
 HEIGHT : 2.50 [64]



CE15XL WIRING DIAGRAM

901 East Thompson Avenue, Glendale, CA 91201-2011;  
 Phone: (800) MINARIK (646-2745); Fax: (800) 394-6334  
 Document Number 250-0331, Revision 0; Printed in the U.S.A. – 12/01