

LEESON 500 Series Gear Reducer Model Number Nomenclature

All stock and custom 500 series reducers are identified by a model number. The model number appears on the nameplate and describes pertinent features of the reducer. An example follows, along with a listing of the various letters and positions used.

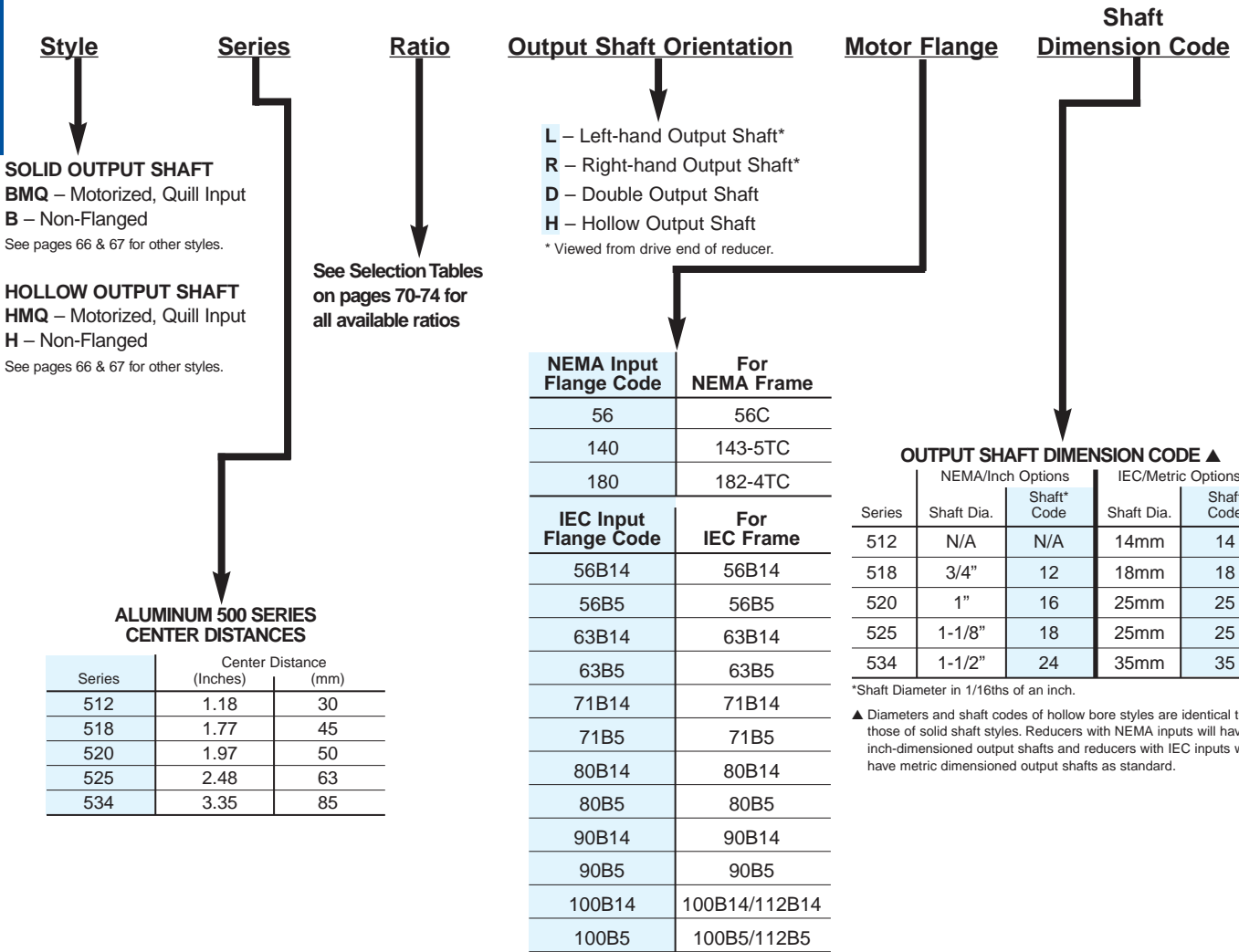
NOTE: All reducers also have a catalog number—for example W5180001. Reducers and renewal parts should be ordered by catalog number. If a stock reducer has been factory modified by the addition of an optional base for example, the modification number T518, for example, is stamped in the blank column of the nameplate. Accessories that are field installed will not be noted on the nameplate.

Catalog numbers 5000 (for example, W5185000) and higher are custom reducers manufactured for a specific application. The machinery or equipment manufacturer should be contacted for replacement reducers. Renewal parts can be ordered from LEESON by catalog number.

TYPICAL NAMEPLATE

LEESON		HYDRO-MEC	
MAX INPUT HP @ 1750 RPM	1.49	OUTPUT TORQUE (IN-LBS)	595
DESC.	HMQ52014H5616	RATIO	14:1
CATALOG NO.	W5200080	DATE CODE	A04
LEESON ELECTRIC GRAFFTON, WISCONSIN 53024		MOD	

Bravo® Single Reduction Reducers



Sample Model Number

Solid Shaft

Motorized Quill Input, Single Reduction Reducer, 1.77" Center Distance, 14:1 Ratio, Left Hand Output Shaft, and 5/8" Input Bore with NEMA 56C Flange.

BMQ	518	14	L	56	12
Style	Series	Ratio	Mounting Assembly	Motor Input Flange	Shaft Code

Hollow Shaft

Motorized Quill Input, Single Reduction Reducer, 1.77" Center Distance, 14:1 Ratio, 3/4" Hollow Output Shaft, and 5/8" Input Bore with NEMA 56C Flange.

HMQ	518	14	H	56	12
Style	Series	Ratio	Mounting Assembly	Motor Input Flange	Shaft Code