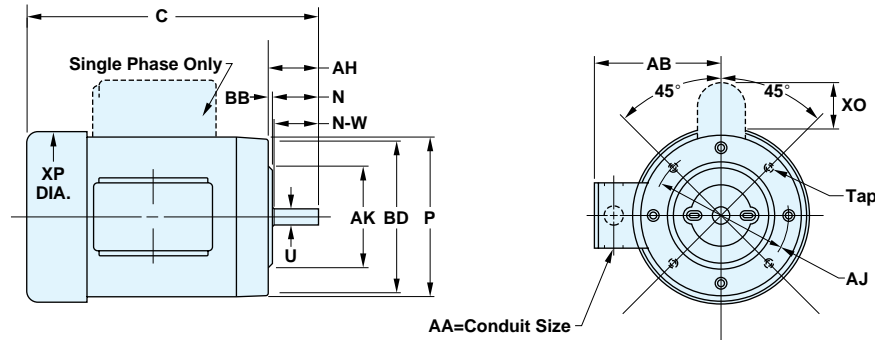


**MOTOR DIMENSIONS**

**AC & DC MOTORS • NEMA C FACE**

**CRITICAL MOUNTING DIMENSIONS**



The condensed dimensions shown on these pages are for general reference only and are not for construction. The “C” dimension for each catalog item is included in this catalog. Certified drawings of all ratings are available for construction purposes.

**NEMA SHAFT AND KEYWAY DIMENSIONS (Inches)**

NEMA SHAFT (U)	KEYWAY DIMENSIONS (R)	(S)	NEMA SHAFT (U)	KEYWAY DIMENSIONS (R)	(S)
5/8	33/64	3/16	2-3/8	2-1/64	5/8
7/8	49/64	3/16	2-1/2	2-3/16	5/8
1-1/8	63/64	1/4	2-7/8	2-29/64	3/4
1-3/8	1-13/64	5/16	3-3/8	2-7/8	7/8
1-5/8	1-13/32	3/8	3-7/8	3-5/16	1

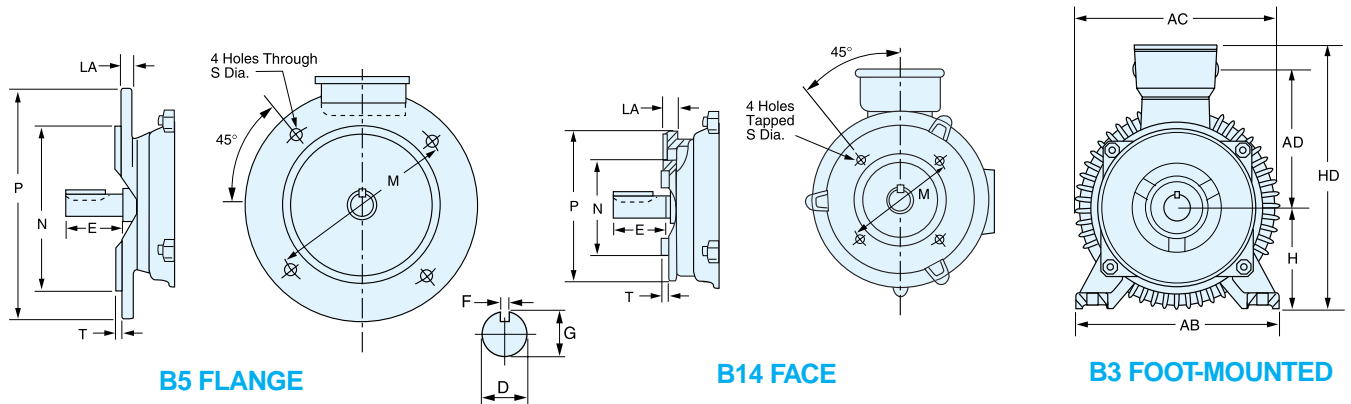
■ S is keyway width.  
U minus R is keyway depth.

**NEMA DIMENSIONS (Inches)**

Frame Size ▲	N	P	U	N-W	AA	AB	AH	AJ	AK	BB	BD	XO	XP	TAP	KEY
S56	1 <sup>15</sup> / <sub>16</sub>	5 <sup>19</sup> / <sub>32</sub>	5/8	1 <sup>7</sup> / <sub>8</sub>	1/2	4 <sup>7</sup> / <sub>8</sub>	2 <sup>1</sup> / <sub>16</sub>	5 <sup>7</sup> / <sub>8</sub>	4 <sup>1</sup> / <sub>2</sub>	1/8	6 <sup>1</sup> / <sub>2</sub>	2 <sup>1</sup> / <sub>4</sub>	5 <sup>7</sup> / <sub>8</sub>	3/8-16	3/16
56		6 <sup>19</sup> / <sub>32</sub>				5 <sup>5</sup> / <sub>16</sub>							7 <sup>5</sup> / <sub>32</sub>		
143T	2 <sup>3</sup> / <sub>8</sub>	6 <sup>19</sup> / <sub>32</sub>	7/8	2 <sup>1</sup> / <sub>4</sub>	3/4	5 <sup>5</sup> / <sub>16</sub>	2 <sup>1</sup> / <sub>8</sub>	5 <sup>7</sup> / <sub>8</sub>	4 <sup>1</sup> / <sub>2</sub>	1/8	6 <sup>1</sup> / <sub>2</sub>	2 <sup>1</sup> / <sub>4</sub>	7 <sup>5</sup> / <sub>32</sub>	3/8-16	3/16
145T															
182T	2 <sup>7</sup> / <sub>8</sub>	8 <sup>15</sup> / <sub>32</sub>	1 <sup>1</sup> / <sub>8</sub>	2 <sup>3</sup> / <sub>4</sub>	3/4	6 <sup>3</sup> / <sub>8</sub>	2 <sup>5</sup> / <sub>8</sub>	7 <sup>1</sup> / <sub>4</sub>	8 <sup>1</sup> / <sub>2</sub>	1/4	8 <sup>7</sup> / <sub>8</sub>	2 <sup>1</sup> / <sub>4</sub>	9 <sup>3</sup> / <sub>32</sub>	1/2-13	1/4
184T															
S213T	3 <sup>1</sup> / <sub>2</sub>	8 <sup>15</sup> / <sub>32</sub>			3/4	6 <sup>3</sup> / <sub>8</sub>					8 <sup>7</sup> / <sub>8</sub>		9 <sup>3</sup> / <sub>32</sub>		
213T			1 <sup>3</sup> / <sub>8</sub>	3 <sup>3</sup> / <sub>8</sub>	1	8 <sup>5</sup> / <sub>16</sub>	3 <sup>3</sup> / <sub>8</sub>	7 <sup>1</sup> / <sub>4</sub>	8 <sup>1</sup> / <sub>2</sub>	1/4	9	2 <sup>1</sup> / <sub>4</sub>	11 <sup>3</sup> / <sub>32</sub>	1/2-13	5/16
215T	—	10 <sup>13</sup> / <sub>16</sub>													
254TC	—	13 <sup>1</sup> / <sub>4</sub>	1 <sup>5</sup> / <sub>8</sub>	4	1 <sup>1</sup> / <sub>4</sub>	11 <sup>9</sup> / <sub>8</sub>	3 <sup>3</sup> / <sub>4</sub>	7 <sup>1</sup> / <sub>4</sub>	8 <sup>1</sup> / <sub>2</sub>	1/4	9 <sup>5</sup> / <sub>8</sub>	—	12 <sup>7</sup> / <sub>8</sub>	1/2-13	3/8
256TC															

▲ Blue shading denotes dimensions established by NEMA standard MG1, others are unique to LEESON, and will vary with each manufacturer.

**DIMENSIONS AC METRIC (IEC) MOTORS**



**METRIC (IEC) FRAME DIMENSIONS (Millimeters)**

Frame	Mounting			Shaft						General			B5 Flange					B14 Face						
	H	AB	K	D	E	F	G	ED	DH	AC	AD	HD	M	N	P	S	T	LA	M	N	P	S	T	LA
D56	56	107	6	9	20	3	7.5	8	M3 x 8	—	—	—	100	80	120	7	2.5	7	65	50	80	M5	2.5	7
D63	63	122	7	11	23	4	8.5	10	M4 x 10	126	84	171	115	95	140	10	3.0	7	75	60	90	M5	2.5	7
D71	71	136	7	14	30	5	11.0	20	M5 x 12.5	141	94	191	130	110	160	10	3.5	7	85	70	105	M6	2.5	9
D80	80	154	10	19	40	6	15.5	25	M6 x 16	159	102	206	165	130	200	12	3.5	12	100	80	120	M6	3.0	9
D90S	90	172	10	24	50	8	20.0	32	M8 x 19	180	112	229	165	130	200	12	3.5	12	115	95	140	M8	3.0	9
D90L	90	172	10	24	50	8	20.0	32	M8 x 19	180	112	229	165	130	200	12	3.5	12	115	95	140	M8	3.0	9
DF100L	100	205	12	28	60	8	24.0	40	M10 x 22	205	130	270	215	180	250	15	4.0	11	130	110	160	M8	3.5	14
DF112M	112	230	12	28	60	8	24.0	40	M10 x 22	240	150	300	215	180	250	15	4.0	12	130	110	160	M8	3.5	11

The overall length dimension for each catalog item is listed in the motor section of this catalog. Frames DF100L through DF112M, conduit box is located in the center of the frame.

General Information