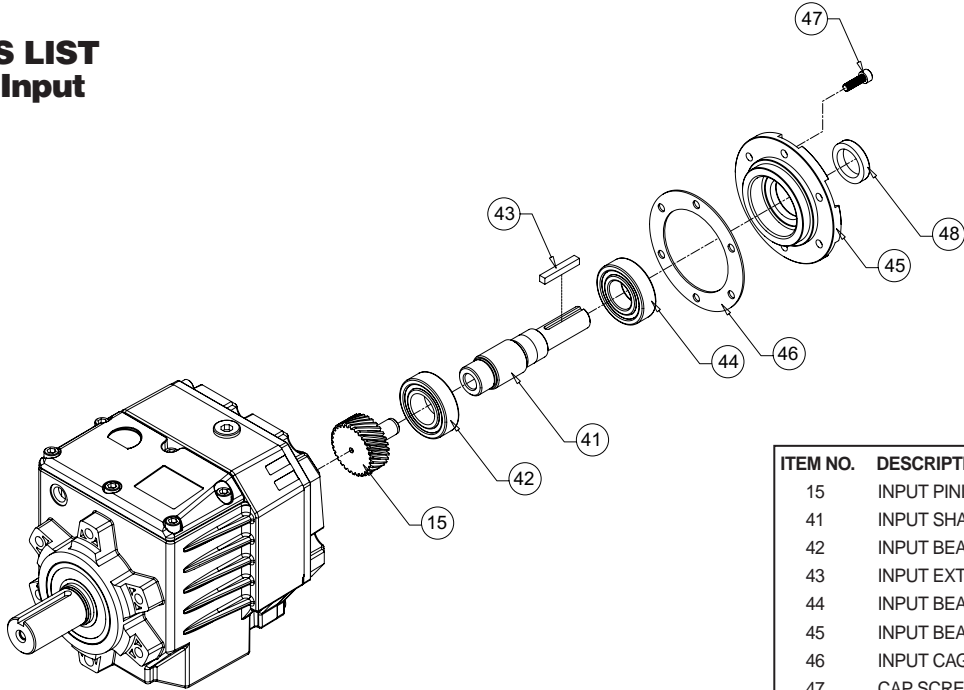
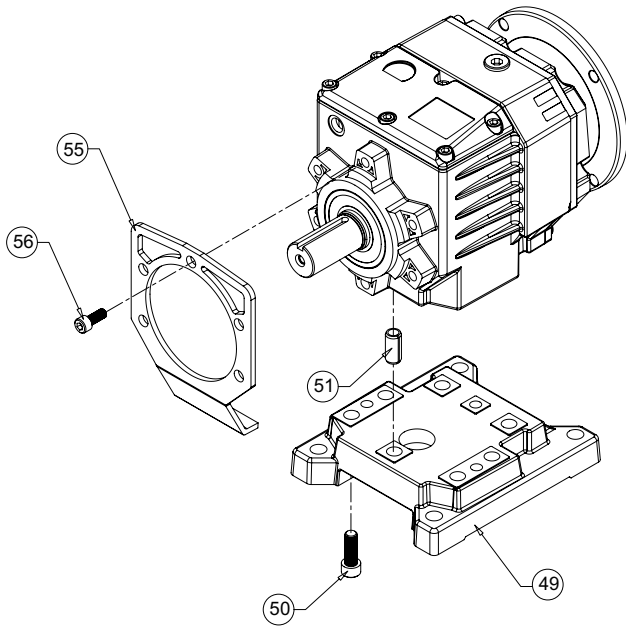


**PARTS LIST
Shaft Input**

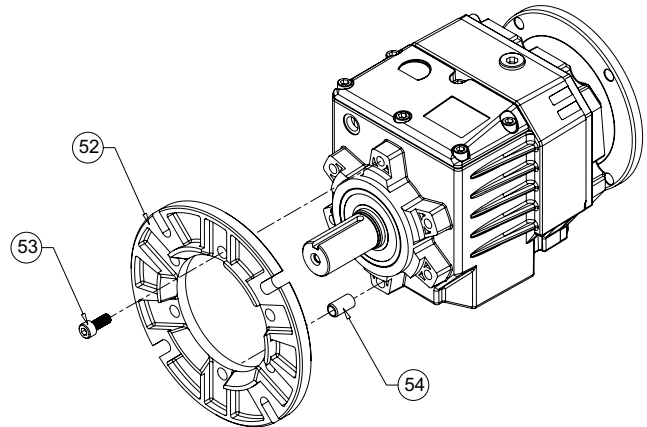


ITEM NO.	DESCRIPTION
15	INPUT PINION
41	INPUT SHAFT
42	INPUT BEARING
43	INPUT EXTENSION KEY
44	INPUT BEARING
45	INPUT BEARING CAGE
46	INPUT CAGE SHIM
47	CAP SCREW
48	INPUT SEAL

**PARTS LIST
Base Mount and Torque Foot**



**PARTS LIST
Flange Mount**



ITEM NO.	DESCRIPTION
49	MOUNTING BASE
50	CAP SCREW
51	MOUNTING PIN
52	OUTPUT FLANGE
53	CAP SCREW
54	MOUNTING PIN
55	TORQUE FOOT
56	CAP SCREW