

## 717 Series • Flange Mount • Mod-Squad Codes Accessory Kits

Output Flange Options:	Mod-Squad Suffix Code (XX)	Accessory Kit No.	Critical Interchange Dimensions (Inches)									
			AH	AJ	AK■	BA	BB	BF	GA	LQ		
No Flange	00	N/A										
Option 1	F1	G175701	1.41	3.94	3.15	4.72	0.12	0.28	0.39	7.42	8.19	
Option 2	F2	G175702	1.41	4.53	3.74	5.51	0.12	0.35	0.39	7.42	8.19	
Option 3	F3	G175703	1.41	5.12	4.33	6.30	0.14	0.35	0.39	7.42	8.19	
Option 4	F4	G175704	1.41	6.54	5.12	7.87	0.14	0.43	0.43	7.42	8.19	

## 727 Series • Flange Mount • Mod-Squad Codes Accessory Kits

Output Flange Options:	Mod-Squad Suffix Code (XX)	Accessory Kit No.	Critical Interchange Dimensions (Inches)									
			AH	AJ	AK■	BA	BB	BF	GA	LQ		
No Flange	00	N/A										
Option 1	F1	G175701	1.79	3.94	3.15	4.72	0.12	0.28	0.39	7.44	8.21	
Option 2	F2	G175702	1.79	4.53	3.74	5.51	0.12	0.35	0.39	7.44	8.21	
Option 3	F3	G175703	1.79	5.12	4.33	6.30	0.14	0.35	0.39	7.44	8.21	
Option 4	F4	G175704	1.79	6.54	5.12	7.87	0.14	0.43	0.43	7.44	8.21	

## 747 Series • Flange Mount • Mod-Squad Codes Accessory Kits

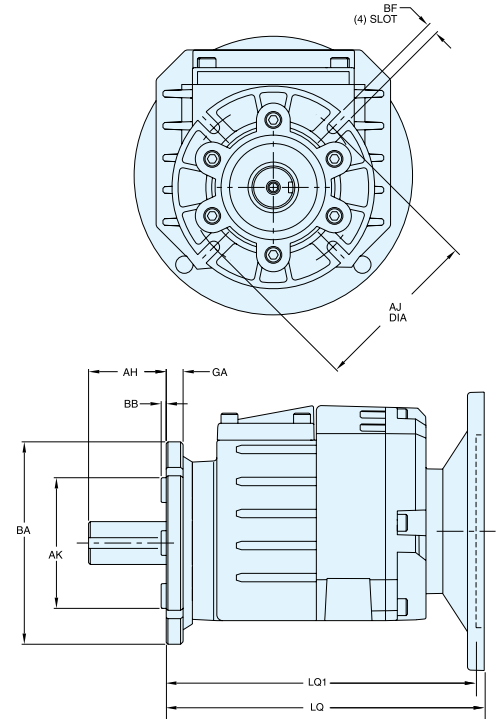
Output Flange Options:	Mod-Squad Suffix Code (XX)	Accessory Kit No.	Critical Interchange Dimensions (Inches)										
			AH	AJ	AK■	BA	BB	BF	GA	LQ		LQ1	
No Flange	00	N/A											
Option 1	F1	G175705	2.24	5.12	4.33	6.30	0.14	0.43	0.61	9.25	9.59	9.78	
Option 2	F2	G175706	2.30	6.46	5.12	7.87	0.14	0.43	0.51	9.19	9.53	9.72	
Option 3	F3	G175707	2.30	8.47	7.09	9.84	0.16	0.55	0.61	9.19	9.53	9.72	

## 757 Series • Flange Mount • Mod-Squad Codes Accessory Kits

Output Flange Options:	Mod-Squad Suffix Code (XX)	Accessory Kit No.	Critical Interchange Dimensions (Inches)									
			AH	AJ	AK■	BA	BB	BF	GA	LQ		LQ1
No Flange	00	N/A										
Option 1	F1	G175705	2.60	5.12	4.33	6.30	0.14	0.43	0.61	10.00	10.35	10.53
Option 2	F2	G175706	2.66	6.46	5.12	7.87	0.14	0.43	0.51	9.94	10.29	10.47
Option 3	F3	G175707	2.66	8.47	7.09	9.84	0.16	0.55	0.61	9.94	10.29	10.47

■ Tolerance of AK on flanges with BA dimension under 6.30" is -0.0014 to -0.0028". Flanges with a BA of 6.30" or larger have a AK tolerance of -0.0017 to -0.0033".

## Output Flange Mounting Dimensions



## TORQUE FOOT SELECTIONS

The torque foot is available on base mounted reducers. The torque foot allows load transfer from bearing cage to foundation, including the external load capacity of the reducer. The torque foot should be considered where the application involves reversing loads or high shock loads to the system.

### Torque Foot Mounting Dimensions (Inches)

Series	Accessory Kit No.	T
717	G175708	0.20
727	G175708	0.20
747	G175709	0.25
757	G175709	0.25

Note: Torque Foot is usable **only** on the B1 base mount.

