

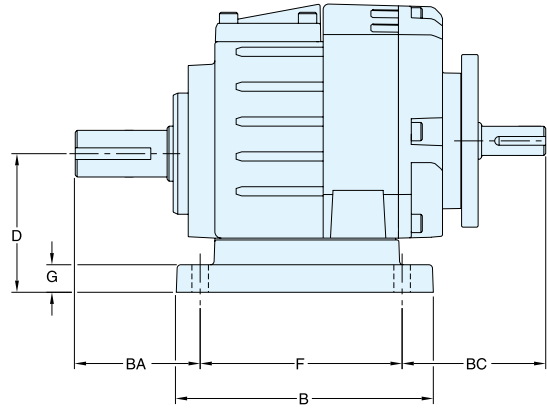
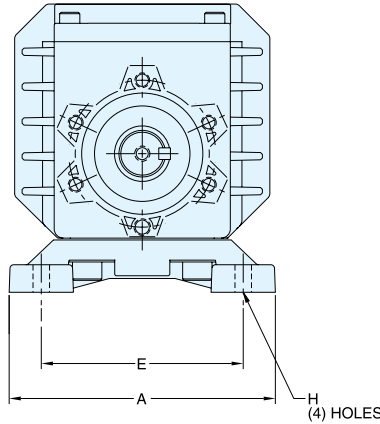
**Base Mounting Dimensions
Motorized Quill Input**

717 Series • Interchange Base Selections • Mod-Squad Codes • Accessory Kits

Interchange With:	Mod-Squad Suffix Code (XX)	Accessory Kit No.	Critical Interchange Dimensions (Inches)										LQ - 56C/140TC				
			A	B	BA	BC		D	E	F	G	H	2-Stage	3-Stage			
						2-Stage	3-Stage										
No Base	00	N/A															
SEW R17	B1	G175710	5.71	5.51	2.28	3.28	3.45	2.95	4.33	4.33	0.59	0.35	2.23	2.99			
SEW R32	B1	G175710	5.71	5.51	2.28	4.25	4.43	2.95	4.33	3.35	0.59	0.35	3.20	3.97			
Bonfiglioli C10	B2**	G175711	5.71	5.51	2.28	4.17	4.35	3.35	4.33	3.43	0.99	0.35	3.12	3.89			
Brook Hansen SFN03B	B1	G175710	5.71	5.51	2.28	3.28	3.45	2.95	4.33	3.35	0.59	0.35	2.23	2.99			
Browning CbN20	B1	G175710	5.71	5.51	2.28	3.28	3.45	2.95	4.33	3.35	0.59	0.35	2.23	2.99			
David Brown M03	B1	G175710	5.71	5.51	2.28	3.28	3.45	2.95	4.33	3.35	0.59	0.35	2.23	2.99			
Falk 03UC	B1	G175710	5.71	5.51	2.28	3.28	3.45	2.95	4.33	3.35	0.59	0.35	2.23	2.99			
Grove 2032/3	B1	G175710	5.71	5.51	2.28	3.28	3.45	2.95	4.33	3.35	0.59	0.35	2.23	2.99			
Hansen 0	B1	G175710	5.71	5.51	2.28	3.28	3.45	2.95	4.33	3.35	0.59	0.35	2.23	2.99			
Lenze 4	B3	G175712	5.67	4.41	2.01	4.88	5.06	3.15	4.13	2.99	0.40	0.35	3.83	4.60			
Leroy Somer NXT N20	B1	G175710	5.71	5.51	2.28	3.28	3.45	2.95	4.33	3.35	0.59	0.35	2.23	2.99			
Motovario 032/3	B1	G175710	5.71	5.51	2.28	3.28	3.45	2.95	4.33	3.15	0.59	0.35	2.23	2.99			
Nord SK02	B4	G175713	5.67	4.41	1.97	5.55	5.73	3.39	4.33	2.36	0.64	0.35	4.50	5.27			
Nord SK172	B1	G175710	5.71	5.51	2.28	3.28	3.45	2.95	4.33	4.33	0.59	0.35	2.23	2.99			
Stober C002/3	B5	G175714	5.67	4.41	2.17	5.27	5.45	3.23	4.33	2.44	0.48	0.28	4.22	4.99			
Sumitomo 4085	B6	G175715	5.67	4.41	1.85	5.67	5.85	3.15	4.72	2.36	0.40	0.35	4.62	5.39			

727 Series • Interchange Base Selections • Mod-Squad Codes • Accessory Kits

Interchange With:	Mod-Squad Suffix Code (XX)	Accessory Kit No.	Critical Interchange Dimensions (Inches)										LQ - 56C/140TC				
			A	B	BA	BC		D	E	F	G	H	2-Stage	3-Stage			
						2-Stage	3-Stage										
No Base	00	N/A															
SEW R27	B1	G175717	5.71	6.02	2.95	2.20	2.38	3.54	4.33	5.12	0.79	0.35	1.15	2.99			
SEW R37	B1	G175717	5.71	6.02	2.95	2.20	2.38	3.54	4.33	5.12	0.79	0.35	1.15	2.99			
SEW R40	B1	G175717	5.71	6.02	2.95	2.20	2.38	3.54	4.33	5.12	0.79	0.35	1.15	2.99			
Bonfiglioli C20	B2	G175718	6.10	5.35	2.68	3.35	3.53	3.94	5.12	4.23	0.67	0.43	2.32	3.09			
Brook Hansen SFN15B	B1	G175717	5.71	6.02	2.95	2.20	2.38	3.54	4.33	5.12	0.79	0.35	1.15	2.99			
Browning CbN21	B3	G175719	5.31	6.12	2.63	1.13	1.31	3.15	4.33	6.50	0.62	0.35	0.10	0.87			
David Brown M04	B1	G175717	5.71	6.02	2.95	2.20	2.38	3.54	4.33	5.12	0.79	0.35	1.15	2.99			
Dodge Quantis HB38	B1	G175717	5.71	6.02	2.95	2.20	2.38	3.54	4.33	5.12	0.79	0.35	1.15	2.99			
Falk 04UC	B1	G175717	5.71	6.02	2.95	2.20	2.38	3.54	4.33	5.12	0.79	0.35	1.15	2.99			
Flender/ Motox D30	B1	G175717	5.71	6.02	2.95	2.20	2.38	3.54	4.33	5.12	0.79	0.35	1.15	2.99			
Grove 2042/3	B1	G175717	5.71	6.02	2.95	2.20	2.38	3.54	4.33	5.12	0.79	0.35	1.15	2.99			
Hansen 1	B3	G175719	5.31	6.12	2.63	1.13	1.31	3.15	4.33	6.50	0.62	0.35	0.10	0.87			
Lenze 5	B4	G175720	7.09	5.47	2.63	4.09	4.27	3.94	4.92	3.54	0.66	0.43	3.06	3.83			
Leroy Somer NXT N21	B3	G175719	5.31	6.12	2.63	1.13	1.31	3.15	4.33	6.50	0.62	0.35	0.10	0.87			
Motovario 042/3	B5	G175721	5.71	5.08	2.95	3.96	4.14	3.15	4.33	3.35	0.59	0.35	2.93	3.70			
Nord SK272	B1	G175717	5.71	5.98	2.95	2.20	2.38	3.54	4.33	5.12	0.71	0.35	1.15	2.99			
Stober C102/3	B7	G175723	7.09	5.47	2.64	4.86	5.04	4.02	5.91	2.76	0.74	0.35	3.83	4.60			
Sumitomo 4097	B8	G175724	7.09	5.47	2.36	4.36	4.54	3.94	5.90	3.54	0.66	0.43	3.33	4.10			



**Base Mounting Dimensions
Non-Motorized Input**

747 Series • Interchange Base Selections • Mod-Squad Codes • Accessory Kits

Interchange With:	Mod-Squad Suffix Code (XX)	Accessory Kit No.	Critical Interchange Dimensions (Inches)										LQ - 56C/140TC		LQ1 180TC		
			A	B	BA	BC		D	E	F	G	H	2-Stage	3-Stage			
No Base	00	N/A															
SEW R47	B1	G175725	6.69	7.76	3.54	2.96	2.88	4.53	5.31	6.50	0.94	0.55	1.45	1.83	1.98		
SEW R60	B1	G175725	6.69	7.76	3.54	2.96	2.88	4.53	5.31	6.50	0.94	0.55	1.45	1.83	1.98		
Bonfiglioli C30	B2	G175726	7.48	6.14	3.07	4.83	4.75	4.33	6.30	5.10	0.79	0.43	3.32	3.66	3.85		
Brook Hansen SFN25B	B1	G175725	6.69	7.76	3.54	2.96	2.88	4.53	5.31	6.50	0.94	0.55	1.45	1.83	1.98		
Browning CbN22	B3	G175727	7.52	8.58	3.01	2.43	2.35	3.94	5.31	7.56	0.75	0.55	0.92	1.26	1.45		
David Brown M06	B1	G175725	6.69	7.76	3.54	2.96	2.88	4.53	5.31	6.50	0.94	0.55	1.45	1.83	1.98		
Dodge Quantis HB48	B1	G175725	6.69	7.76	3.54	2.96	2.88	4.53	5.31	6.50	0.94	0.55	1.45	1.83	1.98		
Falk 06UC	B1	G175725	6.69	7.76	3.54	2.96	2.88	4.53	5.31	6.50	0.94	0.55	1.45	1.83	1.98		
Flender/ Motox D40	B1	G175725	6.69	7.76	3.54	2.96	2.88	4.53	5.31	6.50	0.94	0.55	1.45	1.83	1.98		
Grove 2062	B1	G175725	6.69	7.76	3.54	2.96	2.88	4.53	5.31	6.50	0.94	0.55	1.45	1.83	1.98		
Hansen 2	B3	G175727	7.52	8.58	3.01	2.43	2.35	3.94	5.31	7.56	0.75	0.55	0.92	1.26	1.45		
Lenze 6	B4	G175728	7.87	6.59	3.25	5.58	5.50	4.92	6.30	4.17	0.92	0.53	4.07	4.41	4.60		
Leroy Somer NXT N22	B3	G175727	7.52	8.58	3.01	2.43	2.35	3.94	5.31	7.56	0.75	0.55	0.92	1.26	1.45		
Motovario 052	B5	G175729	7.48	5.51	3.54	5.52	5.44	4.33	5.31	3.94	0.71	0.43	4.01	4.35	4.54		
Nord SK22	B6	G175730	7.87	6.59	3.30	6.55	6.47	4.92	6.30	3.15	0.92	0.43	5.04	5.38	5.57		
Nord SK472	B1	G175725	6.69	7.76	3.54	2.96	2.88	4.53	5.31	6.50	0.94	0.55	1.45	1.83	1.98		
Stober C202	B7	G175731	7.87	6.59	3.11	6.54	6.46	4.53	6.69	3.35	0.53	0.43	5.03	5.37	5.56		

757 Series • Interchange Base Selections • Mod-Squad Codes • Accessory Kits

Interchange With:	Mod-Squad Suffix Code (XX)	Accessory Kit No.	Critical Interchange Dimensions (Inches)										LQ - 56C/140TC		LQ1 180TC		
			A	B	BA	BC		D	E	F	G	H	2-Stage	3-Stage			
No Base	00	N/A															
SEW R57	B1**	G175732	6.69	7.76	3.94	3.63	3.56	4.53	5.31	6.50	0.94	0.55	2.16	2.51	2.69		
SEW R60	B1	G175732	6.69	7.76	3.54	3.63	3.56	4.53	5.31	6.50	0.94	0.55	2.16	2.51	2.69		
Bonfiglioli C30	B2	G175733	7.48	6.14	3.07	5.90	5.97	4.33	6.30	5.10	0.79	0.43	4.43	4.78	4.96		
Bonfiglioli C40	B9	G175740	8.50	7.30	3.54	4.64	4.71	5.12	7.09	5.89	0.71	0.55	3.17	3.52	3.70		
Brook Hansen SFN25B	B1	G175732	6.69	7.76	3.54	3.63	3.56	4.53	5.31	6.50	0.94	0.55	2.16	2.51	2.69		
Browning CbN22	B3	G175734	7.52	8.58	3.01	3.50	3.57	3.94	5.31	7.56	0.75	0.55	2.03	2.38	2.56		
David Brown M06	B1	G175732	6.69	7.76	3.54	3.63	3.56	4.53	5.31	6.50	0.94	0.55	2.16	2.51	2.69		
Dodge Quantis HB48	B1	G175732	6.69	7.76	3.54	3.63	3.56	4.53	5.31	6.50	0.94	0.55	2.16	2.51	2.69		
Falk 06UC	B1	G175732	6.69	7.76	3.54	3.63	3.56	4.53	5.31	6.50	0.94	0.55	2.16	2.51	2.69		
Flender/ Motox D40	B1	G175732	6.69	7.76	3.54	3.63	3.56	4.53	5.31	6.50	0.94	0.55	2.16	2.51	2.69		
Grove 2062	B1	G175732	6.69	7.76	3.54	3.63	3.56	4.53	5.31	6.50	0.94	0.55	2.16	2.51	2.69		
Hansen 2	B3	G175734	7.52	8.58	3.01	3.50	3.57	3.94	5.31	7.56	0.75	0.55	2.03	2.38	2.56		
Lenze 6	B4	G175735	7.87	6.59	3.25	6.65	6.72	4.92	6.30	4.17	0.92	0.53	5.18	5.53	5.71		
Leroy Somer NXT N22	B3	G175734	7.52	8.58	3.01	3.50	3.57	3.94	5.31	7.56	0.75	0.55	2.03	2.38	2.56		
Motovario 052	B5	G175736	7.48	5.51	3.54	6.59	6.66	4.33	5.31	3.94	0.71	0.43	5.12	5.47	5.65		
Nord SK22	B6	G175737	7.97	6.59	3.30	7.62	7.69	4.92	6.30	3.15	0.92	0.43	6.15	6.50	6.68		
Nord SK572	B1**	G175732	6.69	7.76	3.94	3.63	3.56	4.53	5.31	6.50	0.94	0.55	2.16	2.51	2.69		
Stober C202	B7	G175738	7.87	6.59	3.11	7.61	7.68	4.53	6.69	3.35	0.53	0.43	6.14	6.49	6.67		

** Requires optional 1.375" diameter shaft to obtain stated BA dimension. Contact LEESON for availability.