

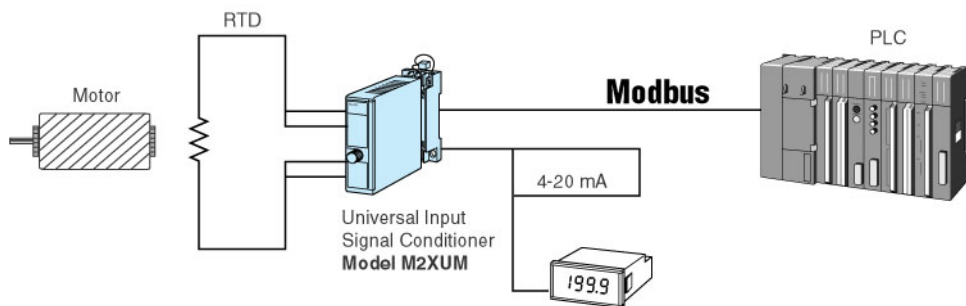


I am measuring motor temperature. An RTD is connected to the motor and I like to transmit the data to a PLC located off site over the Modbus communication. A PLC may be used to control the load to the motor or to shut down the motor as needed to prevent burnout.

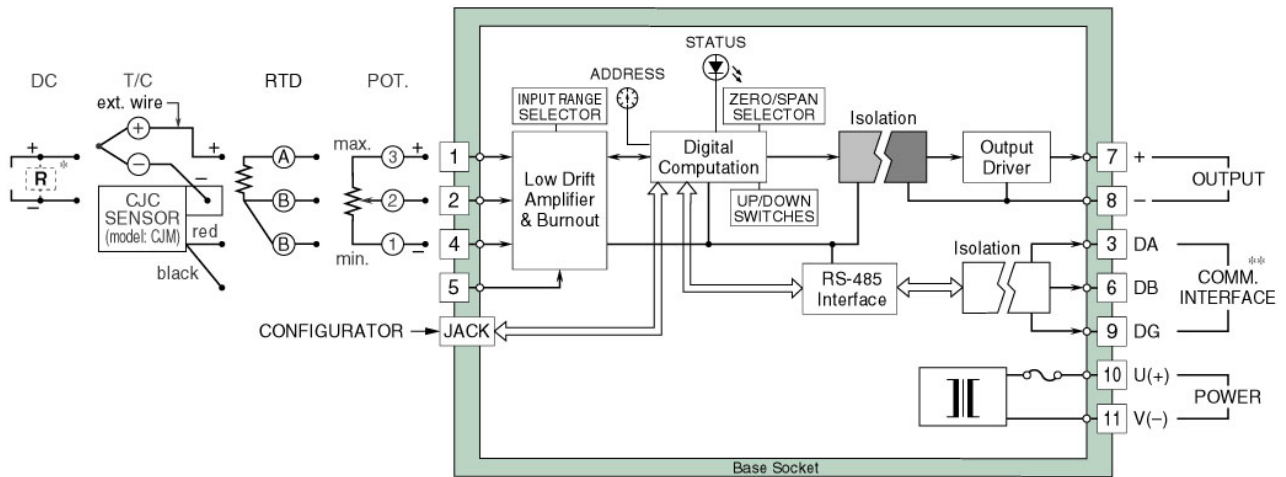


M-System's Mini-M model M2XUM is a universal input signal conditioner with Modbus RTU communication output.

M2XUM is also incorporated with analog output. The load resistance is available max. 750Ω with the 4-20mA output which can drive a local indicator.



Standard	Conforms to RS-485, EIA
Transmission distance	500 meters max.
Baud rate	38.4 kbps max.
Communication	Half-duplex, asynchronous, no procedure
Protocol	Modbus RTU
Transmission media	Shielded twisted-pair cable (CPEV-S 0.9 dia.)



* Input shunt resistor attached for current input.
 **When the module is at the end of RS-485 transmission line, turn on the Modbus terminating resistor located behind the front cover, off when it is not.

Circuit Diagram of model M2XUM

M-System has flexible solutions to meet your specific application and requirements. Consult [our Signal Conditioners Data Library](#). ■