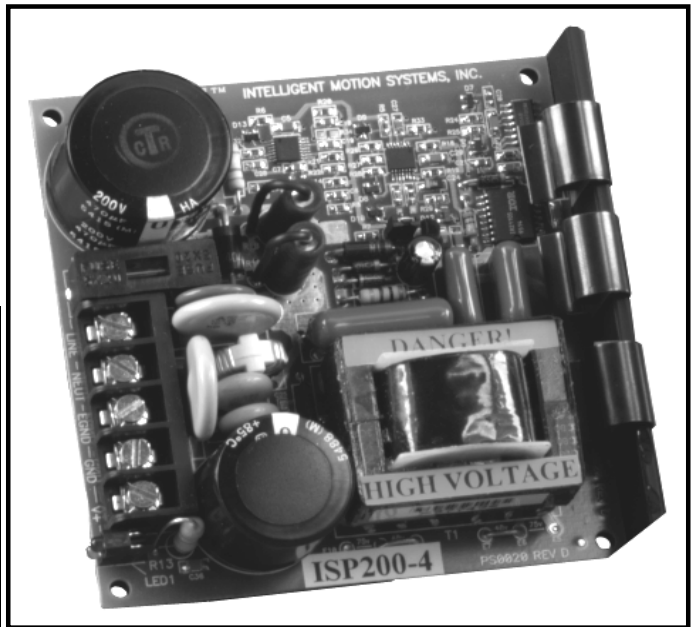


Power Supplies

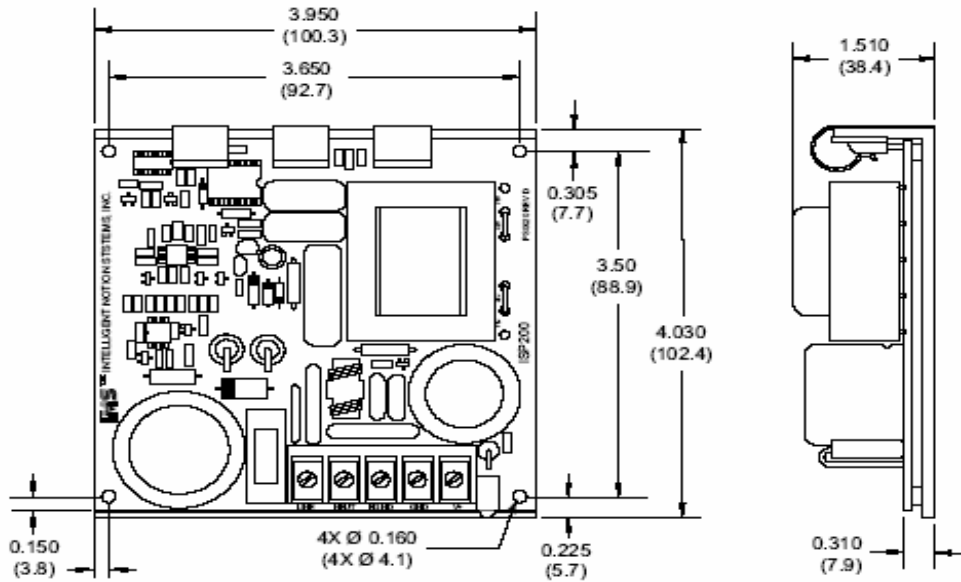
- Efficient Switch Mode Type Supplies
- Effective for Step and DC Motor Controls
- Light Weight and Compact
- Input Voltage: 102-132 Vac, 50/60 Hz
- Soft Start reduces initial power line surge
- Short Circuit, Overvoltage and Thermal Protection

General Specifications

	SPS 25D	SPS 50D
No-Load Output Voltage	45 VDC (nominal)	75 VDC (nominal)
Max. Cont. DC Output Current	3 Amps	4 Amps
Peak Output Power	150 Watts	300 Watts
Operating Temperature	-25 to +50 Deg. C	-25 to +50 Deg. C
Storage Temperature	-25 to +125 Deg. C	-25 to +125 Deg. C
Max. Heat Sink Temperature	70 Deg.C	70 Deg.C
Dimensions (inches)	4.03 x 3.95 x 1.51	4.03 x 4.40 x 1.61
Weight	0.75 lbs.	0.77 lbs
Fusing (5x20 mm slow-blow)	2 Amps	4 Amps



Dimensions - SPS 25D



Dimensions - SPS 50D

