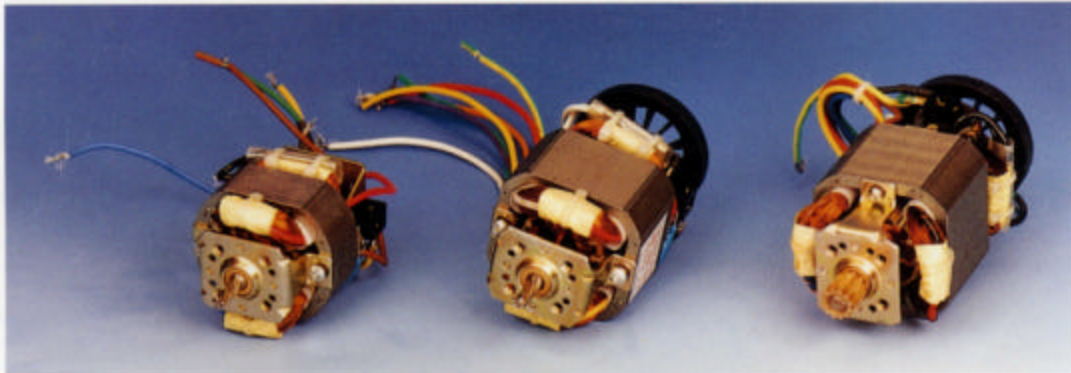
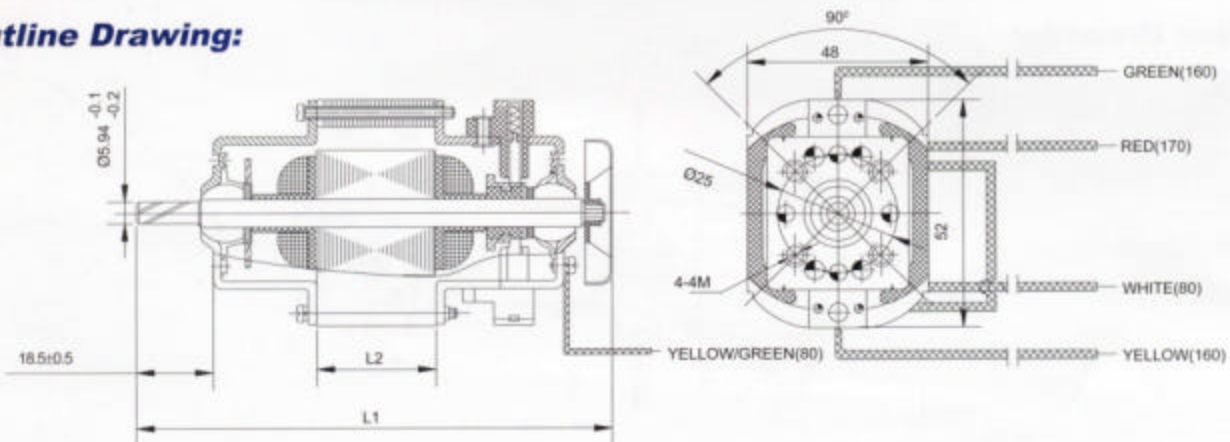


AC Universal Motor MU060YC



Outline Drawing:



Standard Features:

- Lamination made from high-speed progressive tooling
- Insulation Class B, higher insulation class upon request.
- Oil-impregnated long life sleeve bearing

Optional Features:

- Custom shafting with flats, knurls, or gears,
- With thermal protector or fuse upon request.

Technical Data:

Part No.	MU060YC100	MU060YC200	MU060YC300	MU060YC400	MU060YC500	MU060YC600
L1(mm)	115	115	115	123	123	123
L2(mm)	33	33	33	38	38	38
Rated Voltage	100	120	230	100	120	130
Frequency(Hz)	60	60	50	60	60	50
Rated	Power(w)	55	55	90	90	90
	Torque(N.cm)	10	10	10	13	13
No-Load Speed(rpm)	5500	5500	5500	6700	6700	6700

Typical Applications:

- Household appliances
- Office automation facilities