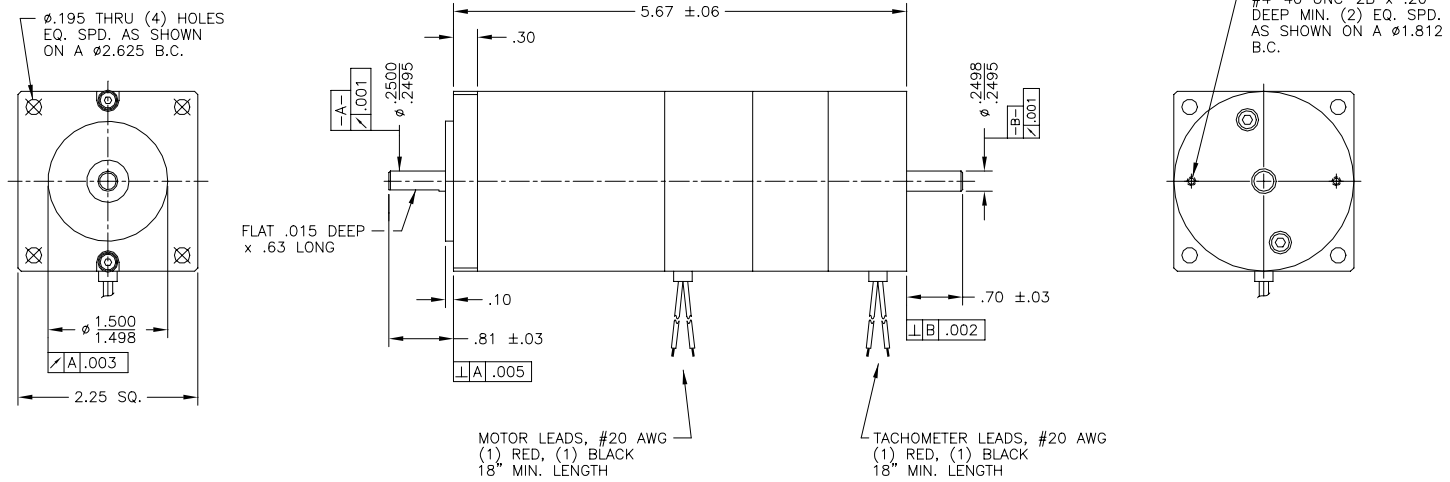


NOTES:

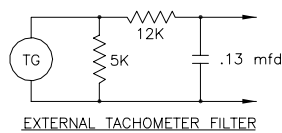
1. ROTATION: WITH POSITIVE VOLTAGE APPLIED TO THE RED MOTOR LEAD, ROTATION SHALL BE CLOCKWISE AS VIEWED FROM OUTPUT SHAFT END, AND THE TACHOMETER OUTPUT VOLTAGE SHALL BE POSITIVE ON THE RED TACHOMETER LEAD.

REVISIONS			
REV	DESCRIPTION	DATE	APPD
P1	PRELIMINARY	11-14-02	JPH



MOTOR PARAMETERS @ 25°C			
	TOL.	UNITS	VALUE
MAX. OPERATING SPEED (S <sub>nl</sub> )	MAX.	R.P.M.	4200
CONTINUOUS TORQUE (T <sub>c</sub> )	MAX.	OZ-IN	60
PEAK TORQUE (T <sub>p</sub> )	MAX.	OZ-IN	360
TORQUE SENSITIVITY (K <sub>t</sub> )	±10%	OZ-IN/AMPS	13.46
BACK EMF CONSTANT (K <sub>e</sub> )	±10%	V/K R.P.M.	9.95
D.C. RESISTANCE (R <sub>t</sub> )	±15%	OHMS	1.8
INDUCTANCE (L)	±30%	mH	0.4
ROTOR INERTIA (J <sub>a</sub> )	NOM.	OZ-IN-SEC <sup>2</sup>	0.009
FRICTION TORQUE (T <sub>f</sub> )	NOM.	OZ-IN	8
DAMPING TORQUE (T <sub>d</sub> )	NOM.	OZ-IN/KRPM	1.36
WINDING TEMPERATURE	MAX.	°C	155
WEIGHT	NOM.	LBS	3.2

TACHOMETER PARAMETERS @ 25°C		
	TOL.	VALUE
VOLTAGE SENSITIVITY (V/1000 RPM)	±10%	7
VOLTAGE RIPPLE @ 11 CY/REV (% AVG-PK)	MAX	2
D.C. RESISTANCE (OHMS)	±10%	72
INDUCTANCE (Mh)	±30%	43.8



NOTE: THIS DRAWING HAS BEEN CREATED BY AUTOCAD.  
MANUAL REVISIONS ARE NOT ALLOWED.

DRAWN	<b>MCG</b> MOTION CONTROL GROUP			
CHECKED				
APPROVED				
TITLE	D.C. MOTOR			
TOLERANCES ON DECIMALS - FRACTIONS ±1/64 XX ±.010 ANGLES ±1/2° XXX ±.005 UNLESS OTHERWISE SPECIFIED DIMENSIONS ARE IN INCHES	SIZE C	NUMBER ID23903	SCALE 1:1	SHEET 1 of 1

THIS DRAWING AND THE INFORMATION DISCLOSED HEREIN ARE PROPRIETARY DATA OF MOTION CONTROL GROUP, AND IS TO BE IMMEDIATELY RETURNED UPON REQUEST. REPRODUCTION OF THIS DRAWING OR THE INFORMATION CONTAINED HEREIN IS PROHIBITED WITHOUT THE EXPRESSED WRITTEN APPROVAL OF MCG.