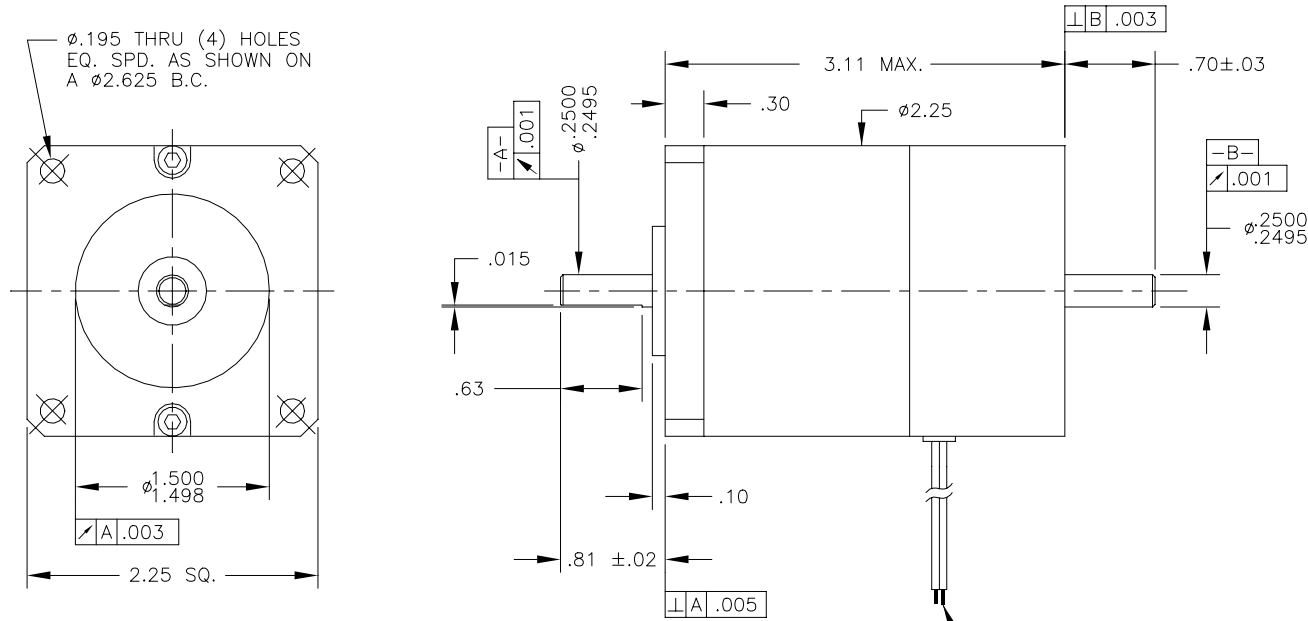
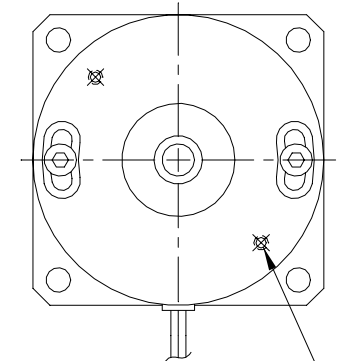


NOTES:

1. ROTATION: WITH POSITIVE VOLTAGE APPLIED TO THE RED MOTOR LEAD, ROTATION SHALL BE CLOCKWISE AS VIEWED FROM OUTPUT SHAFT END.



REVISIONS			
REV	DESCRIPTION	DATE	APPD
P1	PRELIMINARY	11-14-02	JPH



#4-40 UNC-2B x .20 DEEP MIN. (2) HOLES EQ. SPD. AS SHOWN ON A Ø1.812 B.C.

MOTOR LEADS #20 AWG, 18" MIN. LENGTH

MOTOR PARAMETERS @25°C

	TOL.	UNITS	VALUE
MAX. OPERATING SPEED (S _{nl})	MAX.	R.P.M.	4200
CONTINUOUS TORQUE (T _c)	MAX.	OZ-IN	35
PEAK TORQUE (T _p)	MAX.	OZ-IN	210
TORQUE SENSITIVITY (K _t)	±10%	OZ-IN/AMPS	11.2
BACK EMF CONSTANT (K _e)	±10%	V/K R.P.M.	8.29
D.C. RESISTANCE (R _t)	±15%	OHMS	1.383
INDUCTANCE (L)	±15%	mH	1
ROTOR INERTIA (J _a)	NOM.	OZ-IN-SEC ²	0.0045
FRICTION TORQUE (T _f)	NOM.	OZ-IN	7.5
DAMPING TORQUE (T _d)	NOM.	OZ-IN/KRPM	0.8
WINDING TEMPERATURE	MAX.	°C	155
WEIGHT	NOM.	LBS	2

THIS DRAWING AND THE INFORMATION DISCLOSED HEREIN ARE PROPRIETARY DATA OF MOTION CONTROL GROUP AND IS TO BE IMMEDIATELY RETURNED UPON REQUEST. REPRODUCTION OF THIS DRAWING OR THE INFORMATION CONTAINED HEREIN IS PROHIBITED WITHOUT THE EXPRESSED WRITTEN APPROVAL OF MCG.

NOTE: THIS DRAWING HAS BEEN CREATED BY AUTOCAD. MANUAL REVISIONS ARE NOT ALLOWED.

DRAWN			
CHECKED			
APPROVED			
TITLE			
D.C. MOTOR			
TOLERANCES ON DECIMALS	FRACTIONS ±1/64	SIZE	NUMBER
XX ±.010	ANGLES ±1/2°	B	ID23900
XXX ±.005			
UNLESS OTHERWISE SPECIFIED DIMENSION ARE IN INCHES		SCALE	SHEET 1 of 1
		1:1	