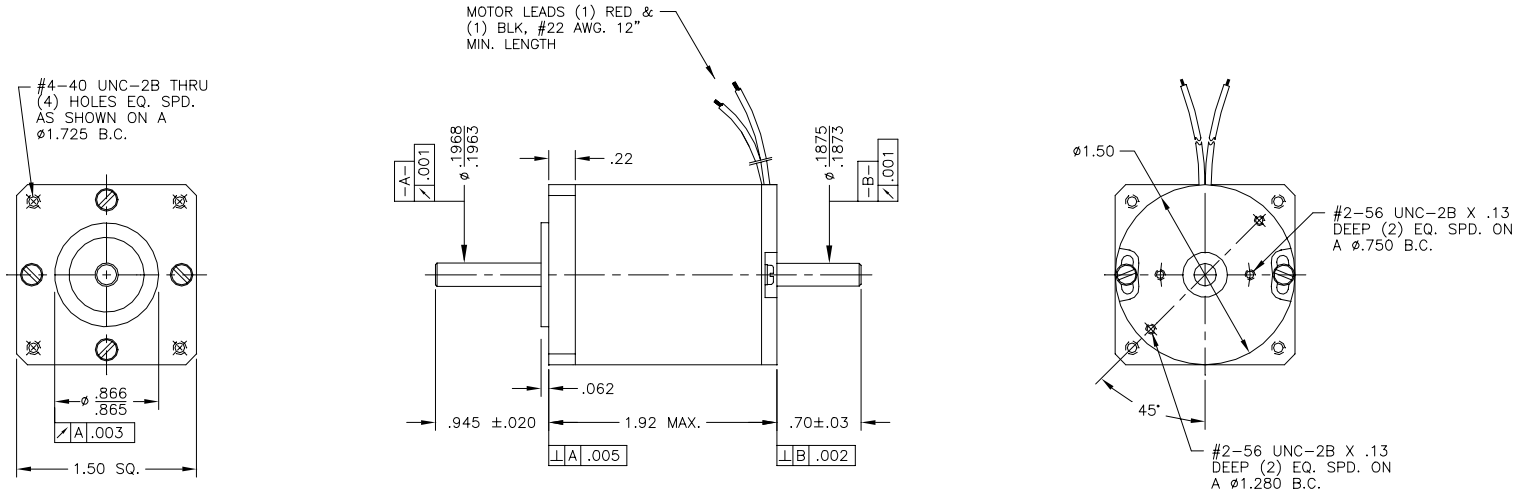


NOTES:

1. ROTATION: WITH POSITIVE VOLTAGE APPLIED TO THE READ LEAD, ROTATION SHALL BE CLOCKWISE (AS VIEWED FROM OUTPUT SHAFT END).

REVISIONS			
REV	DESCRIPTION	DATE	APPD
P1	PRELIMINARY	11-15-02	JPH



MOTOR PARAMETERS @25°C			
	TOL.	UNITS	VALUE
MAX. OPERATING SPEED ( $S_{nl}$ )	MAX.	R.P.M.	6000
CONTINUOUS TORQUE ( $T_c$ )	MAX.	OZ-IN	8
PEAK TORQUE ( $T_p$ )	MAX.	OZ-IN	32
TORQUE SENSITIVITY ( $K_t$ )	$\pm 10\%$	OZ-IN/AMPS	4.3
BACK EMF CONSTANT ( $K_e$ )	$\pm 10\%$	V/K R.P.M.	3.2
D.C. RESISTANCE ( $R_t$ )	$\pm 15\%$	OHMS	4.4
INDUCTANCE (L)	$\pm 30\%$	mH	1.1
ROTOR INERTIA ( $J_a$ )	NOM.	OZ-IN-SEC <sup>2</sup>	0.0003
FRICTION TORQUE ( $T_f$ )	NOM.	OZ-IN	0.28
DAMPING TORQUE ( $T_d$ )	NOM.	OZ-IN/KRPM	.006
WINDING TEMPERATURE	MAX.	°C	155
WEIGHT	NOM.	LBS	0.65

THIS DRAWING AND THE INFORMATION DISCLOSED HEREIN ARE PROPRIETARY DATA OF MOTION CONTROL GROUP, AND IS TO BE IMMEDIATELY RETURNED UPON REQUEST. REPRODUCTION OF THIS DRAWING OR THE INFORMATION CONTAINED HEREIN IS PROHIBITED WITHOUT THE EXPRESSED WRITTEN APPROVAL OF MCG.

NOTE: THIS DRAWING HAS BEEN CREATED BY AUTOCAD. MANUAL REVISIONS ARE NOT ALLOWED.

DRAWN		SIZE	NUMBER
CHECKED		C	ID15000
APPROVED		SCALE 1.5:1	SHEET 1 of 1
TITLE		D.C. BRUSH MOTOR	
TOLERANCES ON DECIMALS - FRACTIONS $\pm 1/64$ XX $\pm .010$ ANGLES $\pm 1/2'$ XXX $\pm .005$ UNLESS OTHERWISE SPECIFIED DIMENSIONS ARE IN INCHES.			