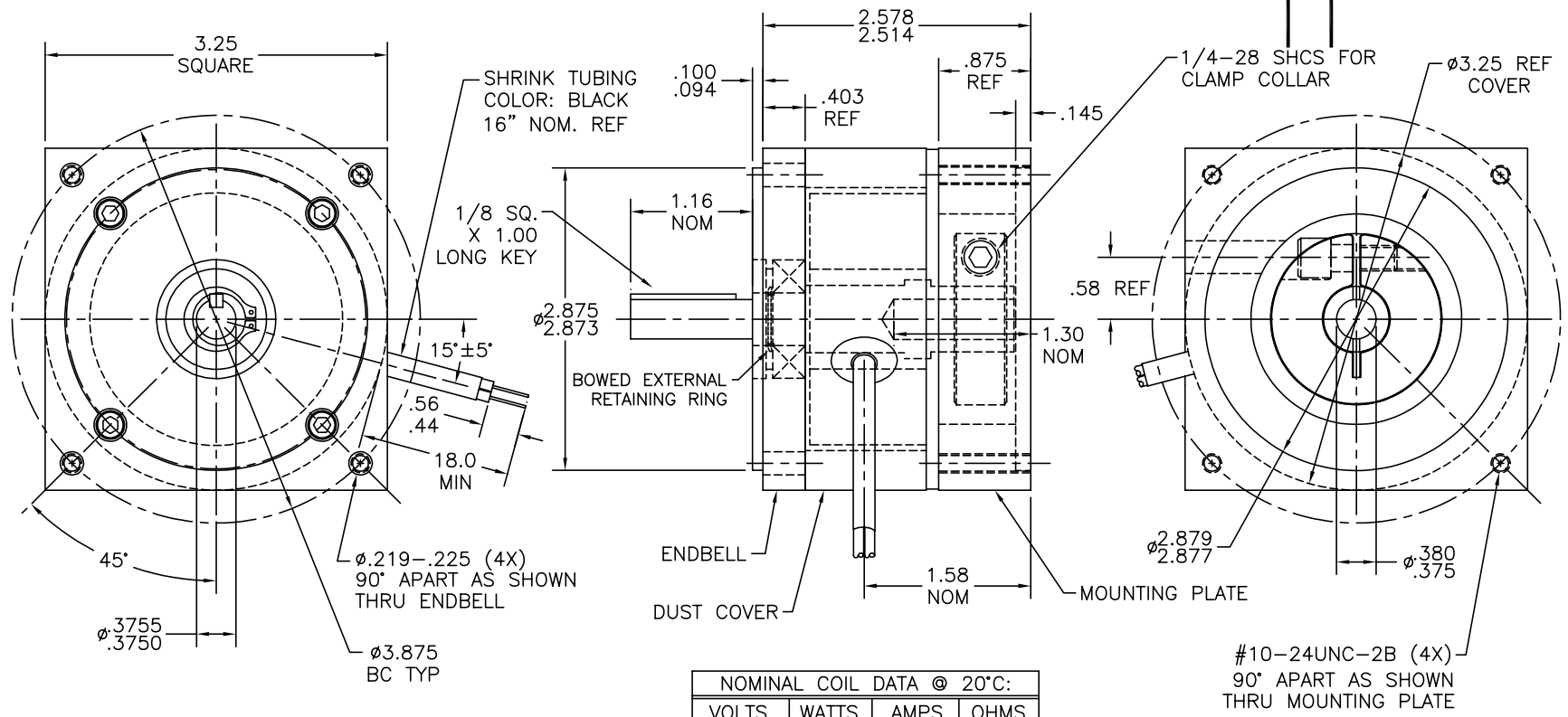


REVISIONS			
REV	DESCRIPTION	DATE	APPD
A	RELEASED - ECO NONE	11-4-03	JPH



NOMINAL COIL DATA @ 20°C:			
VOLTS	WATTS	AMPS	OHMS
24 VDC	8.9	.369	65.1

**NOTES:**

- 1.) STATIC TORQUE RATING OF BRAKE: 15 LBS-IN. MINIMUM
- 2.) LEAD WIRE DATA: 22 AWG, 7/30 STRANDED, 105°C, 600 V, UL STYLE 1015, CSA TEW  
INSULATION: PVC, .095 NOMINAL O.D., COLOR - WHITE
- 3.) 24 VDC MUST BE APPLIED FOR PROPER BRAKE RELEASE.
- 4.) SHAFT IS BALL BEARING MOUNTED
- 5.) SHAFT MATERIAL: STAINLESS STEEL
- 6.) UNIT COLOR: BLACK
- 7.) REF: SHAFT MAY BE REMOVED BY REMOVING BOWED EXTERNAL RETAINING RING.

THIS DRAWING AND THE INFORMATION DISCLOSED HEREIN ARE PROPRIETARY DATA OF MOTION CONTROL GROUP AND IS TO BE IMMEDIATELY RETURNED UPON REQUEST. REPRODUCTION OF THIS DRAWING OR THE INFORMATION CONTAINED HEREIN IS PROHIBITED WITHOUT THE EXPRESSED WRITTEN APPROVAL OF MCG.

#10-24UNC-2B (4X)  
90° APART AS SHOWN  
THRU MOUNTING PLATE

NOTE: THIS DRAWING HAS BEEN CREATED BY AUTOCAD. MANUAL REVISIONS ARE NOT ALLOWED.

DRAWN	QTTO		
CHECKED			
APPROVED	11-21-03		
TITLE			
NEMA 34 BRAKE			
TOLERANCES ON		SIZE	NUMBER
DECIMALS FRACTIONS ±1/64		B	B4-K
XX ±.010 ANGLES ±1/2°			
XXX ±.005			
UNLESS OTHERWISE SPECIFIED DIMENSION ARE IN INCHES			
SCALE 1:1		SHEET 1 of 1	