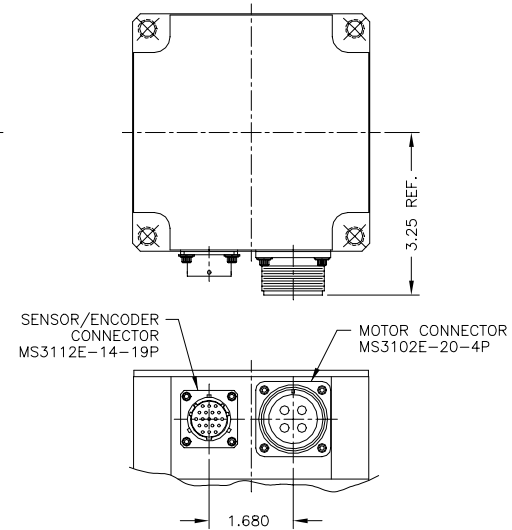
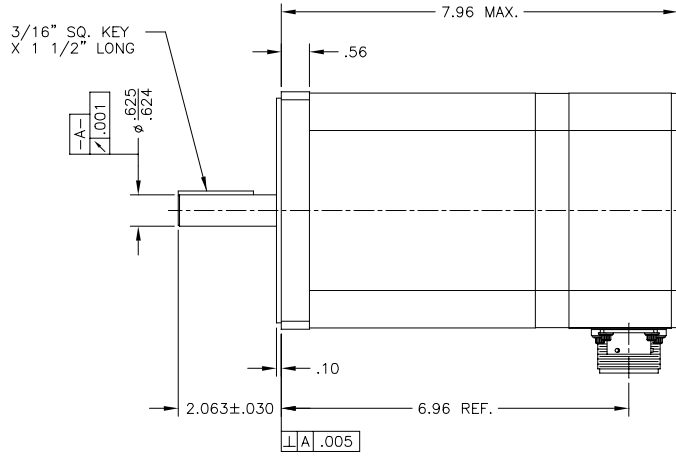
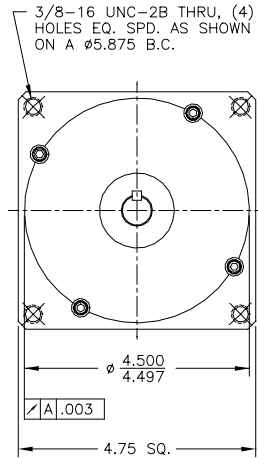
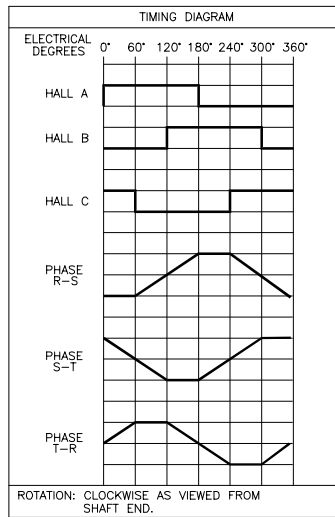


NOTES:
1. MOTOR SEALED TO MEET IP 65, WITH CONNECTOR DOWN.

REVISIONS			
REV	DESCRIPTION	DATE	APPD
P1	PRELIMINARY	11-11-02	JPH



SENSOR CONNECTOR PINOUT (MS3112E-14-19P)	
PIN	FUNCTION
A	THERMOSTAT
B	THERMOSTAT
C	HALL B
D	NO CONNECTION
E	NO CONNECTION
F	NO CONNECTION
G	NO CONNECTION
H	NO CONNECTION
J	HALL GROUND
K	NO CONNECTION
L	+5-15 VDC HALL
M	HALL A
N	NO CONNECTION
P	NO CONNECTION
R	HALL C
S	NO CONNECTION
T	NO CONNECTION
U	NO CONNECTION
V	NO CONNECTION



MOTOR PARAMETERS @25°C			
	TOL.	UNITS	VALUE
MAX. OPERATING SPEED (S_{nl})	MAX.	R.P.M.	3000
CONTINUOUS TORQUE (T_c)	MAX.	LB-IN	44.0
PEAK TORQUE (T_p)	MAX.	LB-IN	132
TORQUE SENSITIVITY (K_t)	±10%	LB-IN/AMPS	3.29
BACK EMF CONSTANT (K_e) (L-L, D.C.)	±10%	V/K R.P.M.	39.0
D.C. RESISTANCE (R_t) (L-L)	±10%	OHMS	0.48
INDUCTANCE (L) (L-L)	±15%	mH	2.41
ROTOR INERTIA (J_d)	NOM.	LB-IN-SEC ²	0.0034
FRICTION TORQUE (T_f)	NOM.	LB-IN	0.8
DAMPING TORQUE (T_d)	NOM.	LB-IN/KRPM	0.5
WINDING TEMPERATURE	MAX.	°C	125
WEIGHT	NOM.	LBS	18

MOTOR CONNECTOR PINOUT	
PIN	FUNCTION
1	PHASE R
2	PHASE S
3	PHASE T
4	CASE GROUND

NOTE: THIS DRAWING HAS BEEN CREATED BY AUTOCAD. MANUAL REVISIONS ARE NOT ALLOWED.

DRAWN		
CHECKED		
APPROVED		
TITLE	BRSHLS D.C. MOTOR	
TOLERANCES ON DECIMALS FRACTIONS ±1/64 XXX ±.010 ANGLES ±1/2° XXX ±.005 UNLESS OTHERWISE SPECIFIED DIMENSIONS ARE IN INCHES	SIZE C	NUMBER AB48000
SCALE .625:1	SHEET 1 of 1	

THIS DRAWING AND THE INFORMATION DISCLOSED HEREIN ARE PROPRIETARY DATA OF MOTION CONTROL GROUP, AND IS TO BE IMMEDIATELY RETURNED UPON REQUEST. REPRODUCTION OF THIS DRAWING OR THE INFORMATION CONTAINED HEREIN IS PROHIBITED WITHOUT THE EXPRESSED WRITTEN APPROVAL OF MCG.