

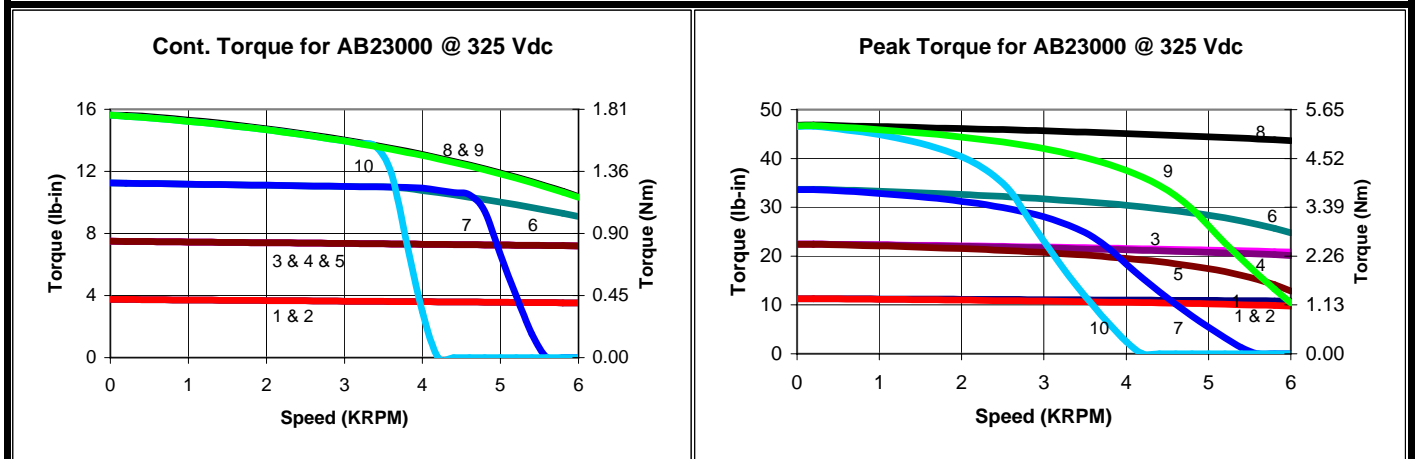
# AB23000 Brushless Motor

- 2.25 Inch Size 23 Motor
- Continuous Torques from 3.75 to 15.6 lb-in
- Speeds up to 6000 rpm
- Voltage Rating up to 325 Vdc
- 20 Lb Radial Load 1/2" from Front Face
- IP65 Sealing w/ Shaft Seal
- Optical Encoders - High Precision w/Bearing, Optional
- "Bolt On" Brake or Precision Gearhead, Optional

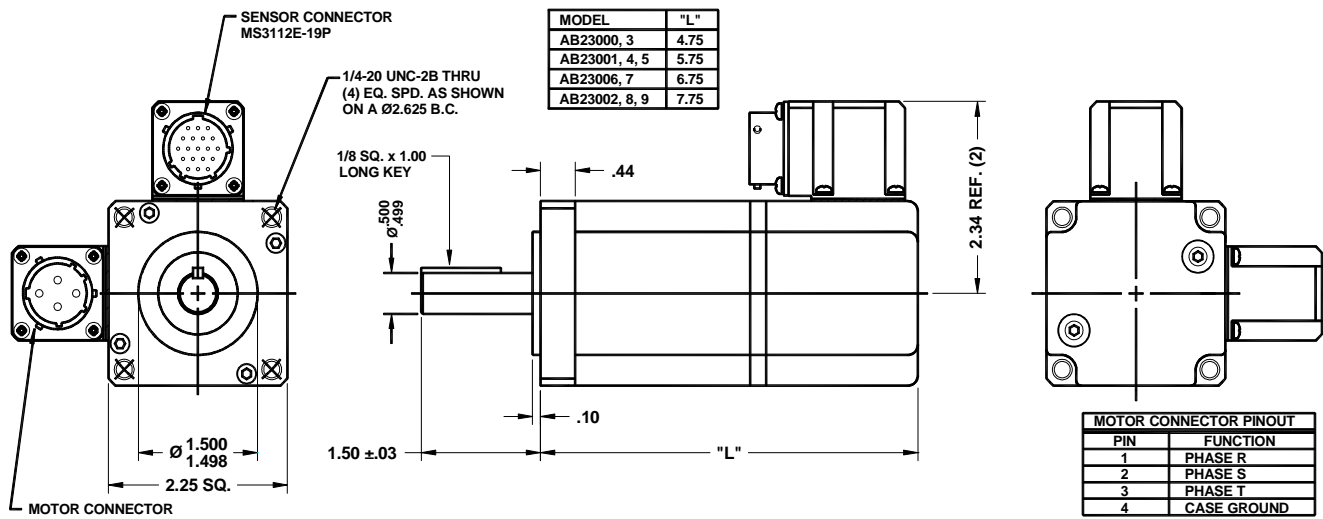


Catalog Number	Torque		Speed @ Vt ω RPM	Voltage Terminal Vt V dc	Current		Torque Constant		Voltage Constant Ke V / KRPM	Res. Rt ohms	Ind. L mH	Inertia		Weight Kg / lb
	Cont. Tcs Nm / lb-in	Peak Tps Nm / lb-in			Cont. Ics A	Peak Ips A	Nm / A	lb-in / A				kg-cm <sup>2</sup>	lb-in-s <sup>2</sup>	
AB23000	0.42 / 3.75	1.28 / 11.3	6000	325	4.1	12.2	0.114	1.00	11.9	2.2	1.81	0.158	0.00014	1 / 2.2
AB23003	0.42 / 3.75	1.28 / 11.3	6000	325	2.0	5.9	0.234	2.07	24.5	9.2	7.68	0.158	0.00014	1 / 2.2
AB23001	0.85 / 7.5	2.54 / 22.5	6000	325	4.9	14.8	0.187	1.66	19.6	2.0	2.10	0.294	0.00026	1.41 / 3.1
AB23004	0.85 / 7.5	2.54 / 22.5	6000	325	4.1	12.2	0.227	2.01	23.8	3.1	3.10	0.294	0.00026	1.41 / 3.1
AB23005	0.85 / 7.5	2.54 / 22.5	6000	325	2.5	7.4	0.374	3.31	39.2	8.3	8.41	0.294	0.00026	1.41 / 3.1
AB23006	1.27 / 11.25	3.82 / 33.8	6000	325	4.3	12.9	0.321	2.84	33.6	3.9	3.85	0.418	0.00037	1.81 / 4
AB23007	1.27 / 11.25	3.82 / 33.8	4000	325	2.5	7.4	0.561	4.97	58.8	11.0	11.81	0.418	0.00037	1.81 / 4
AB23002	1.76 / 15.62	5.3 / 46.9	6000	325	10.0	30.0	0.192	1.70	20.1	0.8	1.20	0.565	0.0005	2.27 / 5
AB23008	1.76 / 15.62	5.3 / 46.9	5500	325	4.2	12.7	0.454	4.02	47.6	5.2	5.62	0.565	0.0005	2.27 / 5
AB23009	1.76 / 15.62	5.3 / 46.9	3000	325	2.6	7.7	0.749	6.63	78.4	13.6	15.26	0.565	0.0005	2.27 / 5

Notes: 1) 125C winding temp for Tc, Ic, Tp, Ip. All others @ 25C. 2) Tolerance on winding constants (+/- 10%), Resistance and Inductance (+/- 15%). 3) Visit [www.mcg-net.com](http://www.mcg-net.com) for more CAD drawings & data



Curves: 1) AB23000, 2) AB23003, 3) AB23001, 4) AB23004, 5) AB23005, 6) AB23006, 7) AB23007, 8) AB23002, 9) AB23008, 10) AB23009



SENSOR CONNECTOR PINOUT									
PIN	FUNCTION	PIN	FUNCTION	PIN	FUNCTION	PIN	FUNCTION	PIN	FUNCTION
A	THERMOSTAT	E	N.C.	J	SENSOR GROUND	N	N.C.	T	N.C.
B	THERMOSTAT	F	N.C.	K	N.C.	P	N.C.	U	N.C.
C	HALL B	G	N.C.	L	+5-15 VDC SENSOR	R	HALL C	V	N.C.
D	N.C.	H	N.C.	M	HALL A	S	N.C.		

MOTOR CONNECTOR PINOUT	
PIN	FUNCTION
1	PHASE R
2	PHASE S
3	PHASE T
4	CASE GROUND

