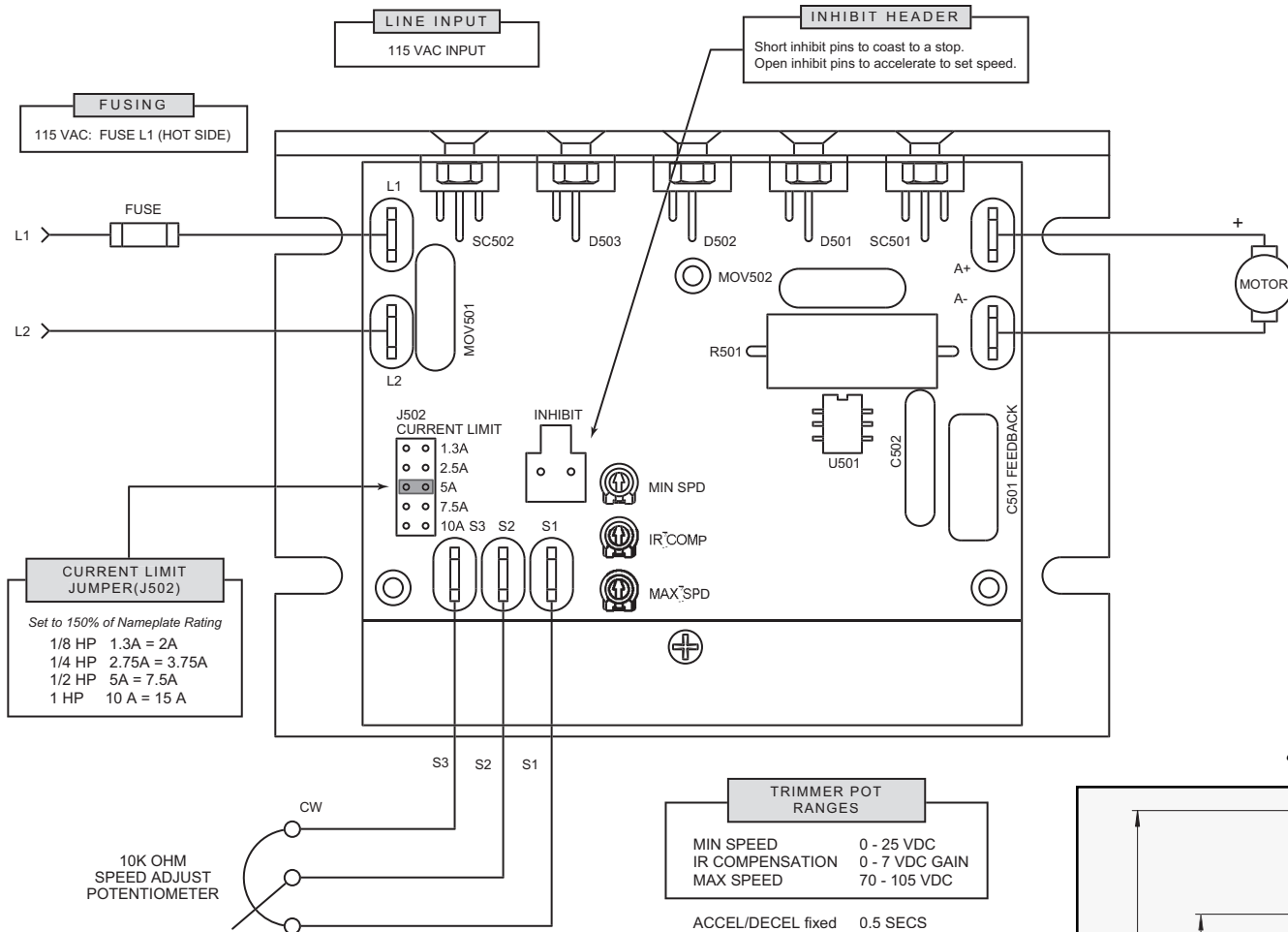


EC2 SCR Adjustable Speed Drives for DC Brush Motors



POWER INPUT

Connect the AC line power to terminals L1 and L2.

LINE FUSE

EC2 drives require an external fuse for protection. Use fast acting fuses rated for 250 VAC or higher, and approximately 150% of the maximum armature current. Fuse only the HOT line, connected to L1.

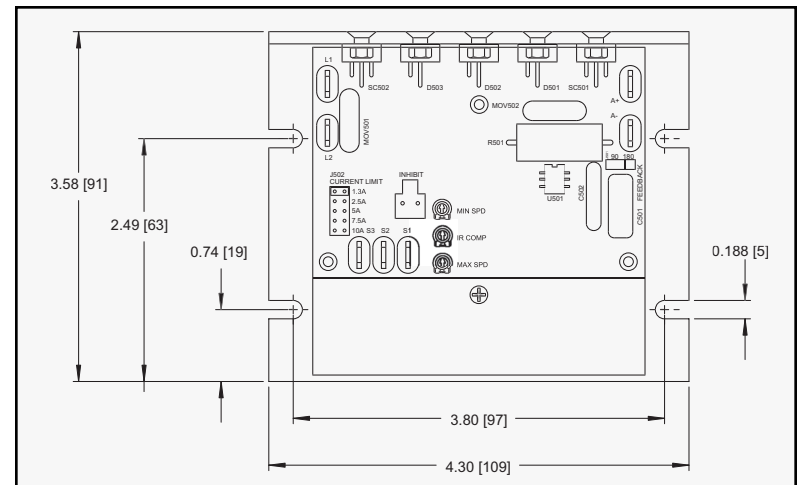
INHIBIT HEADER

Short the INHIBIT pins to coast the motor to stop. Open the INHIBIT terminals to accelerate the motor to set speed.

Twist the inhibit wires and separate them from power-carrying wires or sources of electrical noise. Use shielded cable if the inhibit wires are longer than 18 inches (46 cm). If shielded cable is used, ground only one end of the shield to earth ground. Do not ground both sides of the shield.

Minarik offers two accessory plug harnesses for connecting to the INHIBIT header plug: part number 201-0024 [inhibit plug with 18 inches (46 cm) leads]; and part number 201-0079 [inhibit plug with 36 inches (91 cm) leads].

EC2 DIMENSIONAL DRAWING
all dimensions in inches [millimeters]



901 East Thompson Avenue, Glendale, CA 91201-2011;
Phone: (800) MINARIK (646-2745); Fax: (800) 394-6334
Document Number 250-0354, Revision 1; Printed in the U.S.A. - August 2002