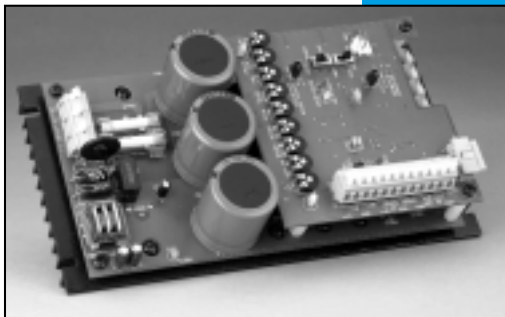


NRG-4Q Series



Models:

NRG02-D240AC-4Q

NRG05-D240AC-4Q

NRG10-115AC-4Q

User's Manual

Four Quadrant, Regenerative PWM
Drives for DC Brush Motors


Copyright © 2001 by
Minarik Corporation

All rights reserved. No part of this manual may be reproduced or transmitted in any form without written permission from Minarik Corporation. The information and technical data in this manual are subject to change without notice. Minarik Corporation and its Divisions make no warranty of any kind with respect to this material, including, but not limited to, the implied warranties of its merchantability and fitness for a given purpose. Minarik Corporation and its Divisions assume no responsibility for any errors that may appear in this manual and make no commitment to update or to keep current the information in this manual.

Printed in the United States of America.

Safety Warnings



- This symbol  denotes an important safety message. **Please read these sections very carefully** before performing any calibration, repair, or other procedure contained in this manual.
- Have a qualified electrical maintenance technician install, adjust, and service this equipment. Follow the National Electrical Code and all other applicable electrical and safety codes, including the provisions of the Occupational Safety and Health Act (OSHA), when installing equipment.
- Reduce the chance of an electrical fire, shock, or explosion by proper grounding, over current protection, thermal protection, and enclosure. Follow sound maintenance procedures.



It is possible for a drive to run at full speed as a result of a component failure. Minarik strongly recommends the installation of a master switch in the main power input to stop the drive in an emergency.

Circuit potentials are at 120 VAC or 240 VAC above earth ground. Avoid direct contact with the printed circuit board or with circuit elements to prevent the risk of serious injury or fatality. Use a non-metallic screwdriver for adjusting the calibration trimpots. Use insulated tools if working on this drive with power applied.

Contents

Specifications	1
NRG02–D240AC–4Q	1
NRG05–D240AC–4Q	2
NRG10–115AC–4Q	3
NRG10–D240AC–4Q	4
Dimensions	5
Installation	6
Mounting	6
Wiring	7
Shielding guidelines	8
Speed adjust potentiometer	9
Heat sinking	10
Line fusing	10
Cage-clamp terminals	11
Connections	12
Power input connections	12
Motor connections	13
Dynamic brake resistor connections	13
Top board terminals	15
Signal and optional switch connections	17
Speed adjust potentiometer connections	19
Voltage follower	20
Slide switches	21
ARMATURE VOLTAGE OUT (SW501)	21
FEEDBACK SELECT (SW502)	21
Headers	21
INHIBIT PERSONALITY (JMP501)	21
CURRENT LIMIT OUT (JMP502)	22

Operation	23
Before applying power	23
Startup and shutdown	24
Reversing the drive:	24
Starting and stopping methods	25
Line starting and line stopping	26
Automatic restart upon power restoration	26
Decelerating to minimum speed	26
Inhibit terminals	27
Dynamic braking	28
Calibration	31
Calibration procedure	33
MINIMUM SPEED (MIN SPD)	34
INHIBIT OFFSET	35
INPUT OFFSET	36
FORWARD MAXIMUM SPEED (FWD MAX)	37
REVERSE MAXIMUM SPEED (REV MAX)	37
REGULATION (IR COMP)	38
MOTOR TORQUE LIMIT and REGEN TORQUE LIMIT	39
FORWARD ACCELERATION (FWD ACCEL)	41
REVERSE ACCELERATION (REV ACCEL)	42
TACHOMETER (TACH)	43
Application Notes	46
Connection to other Minarik devices	46
Optional speed adjust potentiometer connections	48
FWD-MIN SPD-REV Switch	48
Independent Adjustable Speeds	49
Independent forward and reverse speeds	50
Independent forward and reverse speeds using a FWD-MIN SPD-REV switch	51

Troubleshooting	52
Before applying power:	52
Diagnostic LEDs	53
CURRENT LIMIT	53
MOTOR	53
REGEN	53
OVER VOLTAGE COAST	54
Replacement Parts	59
CE Compliance	61
Certificate of Compliance	61
Compliance Requirements	62
OEM Responsibility	62
Installation	62
Enclosure	63
Wiring	63
Grounding	63
AC Line Filters	64
Unconditional Warranty	inside back cover

Illustrations

Figure 1.	Four Quadrant Operation	.x
Figure 2.	NRG-4Q Dimensions	.5
Figure 3.	Speed Adjust Potentiometer	.9
Figure 4.	Cage-Clamp Terminal	.11
Figure 5.	Bottom Board Connections	.14
Figure 6.	Top Board Connections	.18
Figure 7.	Speed Adjust Potentiometer Connections	.19
Figure 8.	Voltage Follower Connections	.20
Figure 9.	Slide Switches, Headers and Terminals	.22
Figure 10.	Dynamic Braking Circuit Connection	.30
Figure 11.	Calibration Trimpot Layout	.32
Figure 12.	Typical Motor Torque, Regen Torque and IR Comp Settings for NRG02/05-4Q Series Drives	.44
Figure 13.	Typical Motor Torque, Regen Torque and IR Comp Settings for NRG10-4Q Series Drives	.45
Figure 14.	NRG-4Q Connection to DIGI-LOK Controls	.46
Figure 15.	NRG Connection to 200-0386A Limit Switch Logic Board	.47
Figure 16.	FWD / MIN SPD / REV Switch	.48
Figure 17.	Independent Adjustable Speeds (Forward Direction)	.49
Figure 18.	Independent Forward and Reverse Speeds	.50
Figure 19.	Independent Forward and Reverse Speeds Using a FWD / MIN SPD / REV Switch	.51
Figure 20.	Diagnostic LED Location	.55
Figure 21.	CE Shielding, Ground and Filtering Connections	.65

Tables

Table 1.	Recommended Line Fuse Sizes	10
Table 2.	Inhibit Plug Harness Assembly	27
Table 3.	Dynamic Brake Resistor Values	29
Table 4.	Replacement Parts	59
Table 5.	AC Line Filters	64

NRG-4Q Drives

Minarik's NRG-4Q Series drives are four-quadrant, full-wave, regenerative PWM drives. These open chassis drives come with the following features:

Pulse width modulation. Lower form factor than SCR drives (1.03 versus 1.37) throughout the motor speed range. Motor runs with greater efficiency and less maintenance.

Four quadrant regenerative operation. *see Regenerative drives section on page ix.*

Inhibit personality. Set the inhibit for your application needs: regenerative brake for fast stopping, or coast for slower stopping.

On board fusing. Protects the drive from high line current.

Cage-clamp terminals. Quicker and easier wiring than screw terminals.

Regenerative braking. No contactors required. No electromechanical components to overheat or wear out.

Plug reversing. Switch from forward to reverse instantaneously.

Dual voltage input. Power the drive with either 120 VAC or 240 VAC.

Tachogenerator feedback option. Improve the speed regulation from approximately 1% (armature feedback) to 0.1% with tachogenerator feedback.

Diagnostic LEDs. Allows easy visual inspection of the drive status.

+15 and –15 VDC supply (50 mA maximum capacity each). Power external devices with the drive's power supply.

User adjustable trim pots. Calibrate the drive precisely to your application needs.

Regenerative Drives

Most non-regenerative variable-speed DC drives control current flow to a motor in one direction. The direction of current flow is the same direction as the motor rotation. Non-regenerative drives operate in Quadrant 1, and also in Quadrant 3 if the drive is reversible (see Figure 1 on page x).

Motors must stop before reversing direction. Unless dynamic braking is used, non-regenerative drives cannot decelerate a load faster than coasting to a lower speed.

Regenerative drives operate in two additional quadrants: Quadrant 2 and Quadrant 4. In these quadrants, motor torque is in the opposite direction of motor rotation. This allows regenerative drives to reverse a motor without contactors or switches, to control an overhauling load, and to decelerate a load faster than it would take to coast to a lower speed.

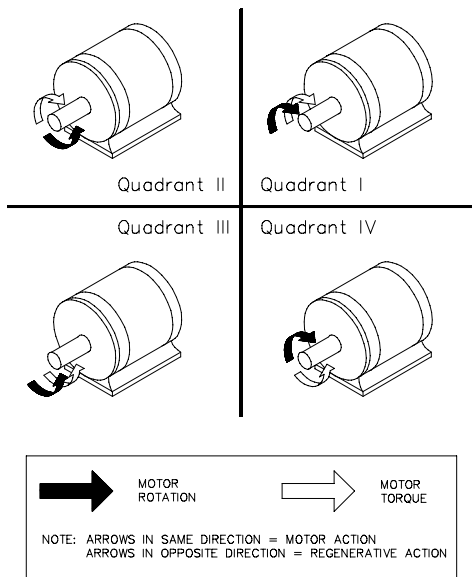


Figure 1. Four Quadrant Operation

Specifications

Model Number **NRG02-D240AC-4Q**

Type Open Chassis

AC Line Voltage

120 VAC or 240 VAC, $\pm 10\%$, 50Hz or 60 Hz, single phase

Maximum Continuous Armature Current 2 ADC

Horsepower Range @ 130 VDC Output 1/20 – 1/4

Horsepower Range @ 240 VDC Output 1/10 – 1/2

Maximum Armature Voltage Range @ 120 VAC Input 0–130 VDC

Maximum Armature Voltage Range @ 240 VAC Input 0–240 VDC

Minimum Speed Adjustment Range @ 120 VAC Input 0–60 VDC

Minimum Speed Adjustment Range @ 240 VAC Input 0–120 VDC

Form Factor 1.03

Acceleration Time Range 0.1–20 seconds

Deceleration Time Range 0.1–20 seconds

Input Signal Range (signal must be isolated) – 10 to +10 VDC

Input Impedance 100k ohm minimum

Speed Regulation (% of base speed)

1% open loop; 0.1% tach feedback

Tachogenerator Voltage Output Range

7 V/1000 RPM to 50V/1000 RPM

Vibration 0.5G max. (0–50 Hz); 0.1G max. (>50 Hz)

Weight 1.9 lb

Ambient Operating Temperature Range* 10°C–40°C

**External air flow is required to ensure temperature limits are not exceeded.*

Model Number **NRG05–D240AC–4Q**

Type Open Chassis

AC Line Voltage

120 VAC or 240 VAC, $\pm 10\%$, 50Hz or 60 Hz, single phase

Maximum Armature Current 5 ADC

Horsepower Range @ 130 VDC Output 1/8 – 1

Horsepower Range @ 240 VDC Output 1/4 – 1

Maximum Armature Voltage Range @ 120 VAC Input 0–130 VDC

Maximum Armature Voltage Range @ 240 VAC Input 0–240 VDC

Minimum Speed Adjustment Range @ 120 VAC Input 0–60 VDC

Minimum Speed Adjustment Range @ 240 VAC Input 0–120 VDC

Form Factor 1.03

Acceleration Time Range 0.1–20 seconds

Deceleration Time Range 0.1–20 seconds

Input Signal Range (signal must be isolated) – 10 to +10 VDC

Input Impedance 100k ohm minimum

Speed Regulation (% of base speed)

1% open loop; 0.1% tach feedback

Tachogenerator Voltage Output Range

7V/1000 RPM to 50V/1000 RPM

Vibration 0.5G max. (0–50 Hz); 0.1G max. (>50 Hz)

Weight 1.9 lb

Ambient Operating Temperature Range* 10°C–40°C

**External air flow is required to ensure temperature limits are not exceeded.*

Model Number NRG10–115AC–4QType Open ChassisAC Line Voltage 120 VAC, $\pm 10\%$, 50Hz or 60 Hz, single phaseMaximum Armature Current 10 ADCHorsepower Range @ 130 VDC Output 1/4 – 1Maximum Armature Voltage Range @ 120 VAC Input 0–130 VDCMinimum Speed Adjustment Range @ 120 VAC Input 0–60 VDCForm Factor 1.03Acceleration Time Range 0.1–20 secondsDeceleration Time Range 0.1–20 secondsInput Signal Range (signal must be isolated) – 10 to +10 VDCInput Impedance 100k ohm minimum

Speed Regulation (% of base speed)

1% open loop; 0.1% tach feedback

Tachogenerator Voltage Output Range

7V/1000 RPM to 50V/1000 RPMVibration 0.5G max. (0–50 Hz); 0.1G max. (>50 Hz)Weight 1.9 lbAmbient Operating Temperature Range* 10°C–40°C

**External air flow is required to ensure temperature limits are not exceeded.*

Model Number **NRG10–D240AC–4Q**

Type Open Chassis

AC Line Voltage

120 VAC or 240 VAC, $\pm 10\%$, 50Hz or 60 Hz, single phase

Maximum Armature Current 10 ADC

Horsepower Range @ 130 VDC Output 1/2 - 1

Horsepower Range @ 240 VDC Output 1/2 - 2

Maximum Armature Voltage Range @ 120 VAC Input 0–130 VDC

Maximum Armature Voltage Range @ 240 VAC Input 0–240 VDC

Minimum Speed Adjustment Range @ 120 VAC Input 0–60 VDC

Minimum Speed Adjustment Range @ 240 VAC Input 0–120 VDC

Form Factor 1.03

Acceleration Time Range 0.1–20 seconds

Deceleration Time Range 0.1–20 seconds

Input Signal Range (signal must be isolated) – 10 to +10 VDC

Input Impedance 100k ohm minimum

Speed Regulation (% of base speed)

1% open loop; 0.1% tach feedback

Tachogenerator Voltage Output Range

7V/1000 RPM to 50V/1000 RPM

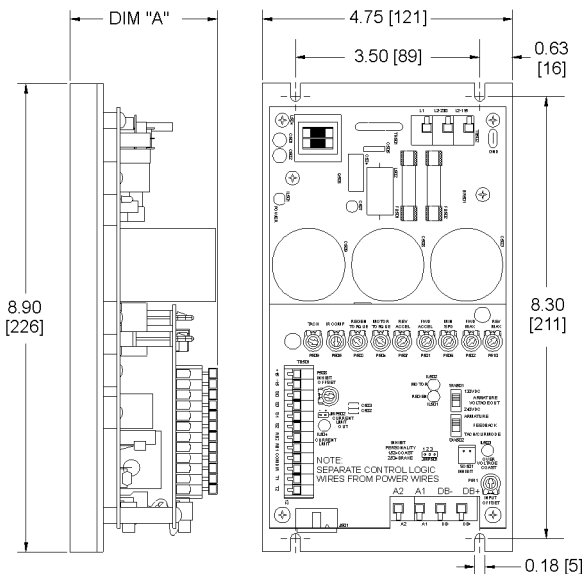
Vibration 0.5G max. (0–50 Hz); 0.1G max. (>50 Hz)

Weight 1.9 lb

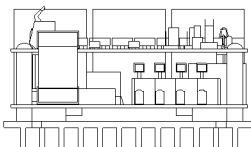
Ambient Operating Temperature Range* 10°C–40°C

**External air flow is required to ensure temperature limits are not exceeded.*

Dimensions



Model	Height (Dim. "A")
NRG02-D240AC-4Q	2.79 [71]
NRG05-D240AC-4Q	3.13 [80]
NRG10-115AC-4Q	3.62 [92]
NRG10-D240AC-4Q	4.13 [105]



All dimensions in inches [millimeters]

Figure 2. NRG-4Q Dimensions

Installation

Mounting



Warning

Do not install, rewire, or remove this control with input power applied. Doing so may cause fire or serious injury. Make sure you have read and understood the Safety Warnings on page i before attempting installation.

The chassis must be earth grounded. Use a star washer beneath the head of at least one of the mounting screws to penetrate the anodized chassis surface and to reach bare metal.

- Drive components are sensitive to electrostatic fields. Avoid direct contact with the circuit board. Hold drive by the chassis only.
- Protect the drive from dirt, moisture, and accidental contact. Provide sufficient room for access to the terminal block and calibration trimpots.
- Mount the drive away from heat sources. Operate the drive within the specified ambient operating temperature range.
- Prevent loose connections by avoiding excessive vibration of the drive.

- Mount the drive with its board in either a horizontal or vertical plane. Six 0.19 in. (5 mm) wide slots in the chassis accept #8 pan head screws.

Wiring



Warning



Do not install, remove, or rewire this equipment with power applied. Doing so may cause fire or serious injury.

Circuit potentials are at 120 or 240 VAC above ground. To prevent the risk of injury or fatality, avoid direct contact with the printed circuit board or with circuit elements.

Do not disconnect any of the motor leads from the drive unless power is removed or the drive is disabled. Opening any one motor lead may destroy the drive.

- Use 18-24 AWG wire for speed adjust potentiometer wiring. Use 14–16 AWG wire for AC line (L1, L2) and motor (A1 and A2) wiring.

Shielding guidelines



Warning

Under no circumstances should power and logic leads be bundled together. Induced voltage can cause unpredictable behavior in any electronic device, including motor controls.

As a general rule, Minarik recommends shielding of all conductors.

If it is not practical to shield power conductors, Minarik recommends shielding all logic-level leads. If shielding logic leads is not practical, the user should twist all logic leads with themselves to minimize induced noise.

It may be necessary to earth ground the shielded cable. If noise is produced by devices other than the drive, ground the shield at the drive end. If noise is generated by a device on the drive, ground the shield at the end away from the drive. Do not ground both ends of the shield.

If the drive continues to pick up noise after grounding the shield, it may be necessary to add AC line filtering devices, or to mount the drive in a less noisy environment.

Logic wires from other input devices, such as motion controllers and PLL velocity controllers, must be separated from power lines in the same manner as the logic I/O on this drive.

Speed adjust potentiometer



Warning

Be sure that the potentiometer tabs do not make contact with the potentiometer enclosure. Grounding the input will cause damage to the drive.

Install the circular insulating disk between the mounting panel and the 10K ohm speed adjust potentiometer (see Figure 3). Mount the speed adjust potentiometer through a 0.38 inch (10 mm) hole with the hardware provided. Twist the speed adjust potentiometer wire to avoid picking up unwanted electrical noise. If potentiometer leads are longer than 18 inches (46 cm), use shielded cable.

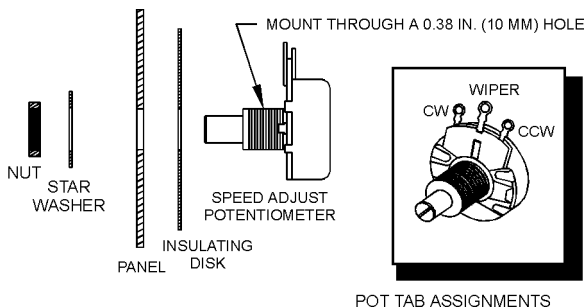


Figure 3. Speed Adjust Potentiometer

Heat sinking

All NRG-4Q Series drives have sufficient heat sinking in their basic configurations. No additional heat sinking is required.

Line fusing

NRG Series drives have preinstalled line fuses. See *Replacement Parts* (page 59) for preinstalled line fuse size. When replacing the line fuses, use fast acting fuses rated for 250 VAC or higher, and at least 200% of the armature current. Minarik Corporation offers two fuse kits: part number 050-0069 (3-8A Fuse Kit) and 050-0073 (5-20A Fuse Kit). See Table 1 for recommended line fuse sizes.

Table 1. Recommended Line Fuse Sizes

90 VDC Motor Horsepower	180 VDC Motor Horsepower	Max. DC Armature Current (amps)	AC Line Fuse Size (amps)
1/20	1/10	0.5	3
1/15	1/8	0.8	3
1/8	1/4	1.5	5
1/6	1/3	1.7	5
1/4	1/2	2.6	8
1/3	3/4	3.5	8
1/2	1	5.0	10
3/4	1 1/2	7.6	15
1	2	10	20

Cage-clamp terminals

All connections are made to cage-clamp terminals. To insert a wire into the cage-clamp terminal:

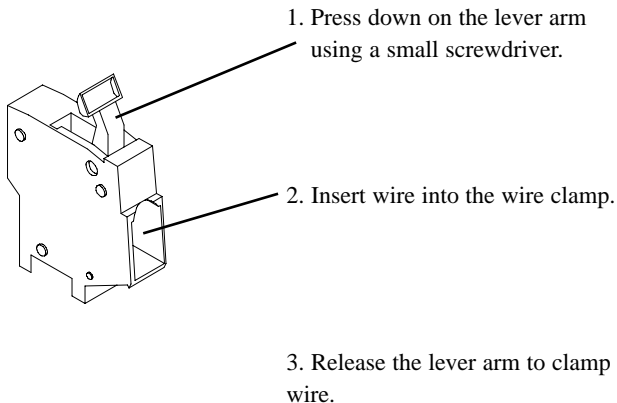


Figure 4. Cage-Clamp Terminal

Connections



Warning

Do not connect this equipment with power applied. Doing so may cause fire or serious injury.

Minarik strongly recommends the installation of a master power switch in the voltage input line, as shown in Figure 5 (page 14). The switch contacts should be rated at a minimum of 200% of motor nameplate current and 250 volts.

Do not connect 240 VAC line voltage to terminal L2 (115). Fire or serious damage to the drive may result.

Connect the power input leads and a DC motor to TB501 and TB502 on the drive's printed circuit board (PCB) as shown in Figure 5 on page 14.

Power input connections

Connect the AC line voltage leads to terminals L1 and L2 on terminal board TB502, or to a double-throw, single-pole master power switch (recommended). If the line voltage is 120 VAC, connect the AC line voltage leads to terminals L1 and L2 (115). If the line voltage is 240 VAC, connect the AC line voltage leads to terminals L1 and L2 (230).

Motor connections

Minarik drives supply motor voltage from A1 and A2 terminals. It is assumed throughout this manual that, when A1 is positive with respect to A2, the motor will rotate clockwise (CW) while looking at the output shaft protruding from the front of the motor. If this is opposite of the desired rotation, simply reverse the wiring of A1 and A2 with each other.

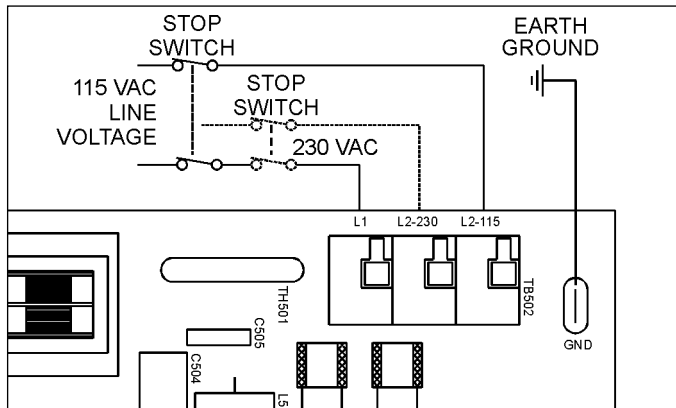
Connect a DC motor to TB501 terminals A1 and A2 as shown in Figure 5 (page 14). Ensure that the motor voltage rating is consistent with the drive's output voltage.

Dynamic brake resistor connections

If you plan to use dynamic braking to stop the motor, you must connect a dynamic brake resistor to TB501 terminals DB+ and DB- as shown in Figure 5 (page 14).

The dynamic brake resistor reduces the voltage across the bus capacitors (C503 and C504) when they reach their maximum voltage rating. This occurs when the motor regenerates voltage back to the drive. Bus capacitor maximum voltage ratings are 400 VDC for 240 VAC drives, and 200 VDC for 120 VAC drives. For more information on dynamic braking, refer to the *Dynamic Braking* section on page 28.

Power and Ground Connections



Motor and Dynamic Brake Resistor Connections

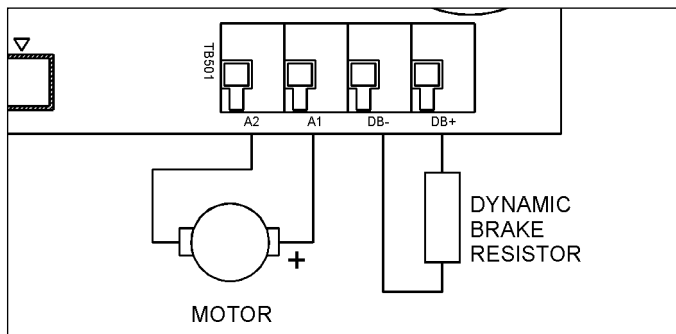


Figure 5. Bottom Board Connections

Top board terminals

+15 and -15 (terminals 1 and 2)



Warning

Do not short the +15 and -15 terminals together. Shorting these terminals will cause damage to the drive.

Regulated +15 VDC and -15 VDC supply voltages (maximum 50 mADC each) for external devices.

S0 (terminal 3)

Circuit common for 10K ohm speed adjust potentiometer or isolated voltage input signal.

S3 (terminal 4)

Floating -10 VDC reference for 10K ohm speed adjust potentiometer.

S1 (terminal 5)

Floating +10 VDC reference for 10K ohm speed adjust potentiometer.

S2 (terminal 6)

Accepts 10K ohm speed adjust potentiometer wiper or isolated -10 VDC to +10 VDC reference.

RB1 and RB2 (terminals 7 and 8)

Short RB1 to RB2 to decelerate the motor to a minimum speed.

COM (terminal 9)

Circuit common.

DIR (terminal 10)

Short DIR and COM terminals to reverse the motor direction.

T1 and T2 (terminals 11 and 12)

Tachogenerator feedback connections. Adding tachogenerator feedback improves speed regulation from approximately 1% of motor base speed to approximately 0.1% of motor base speed. Adding tachogenerator feedback is optional.

NOTE: S0, RB1, COM, and T2 (terminals 3, 8, 9, and 12) are circuit common.

Signal and optional switch connections

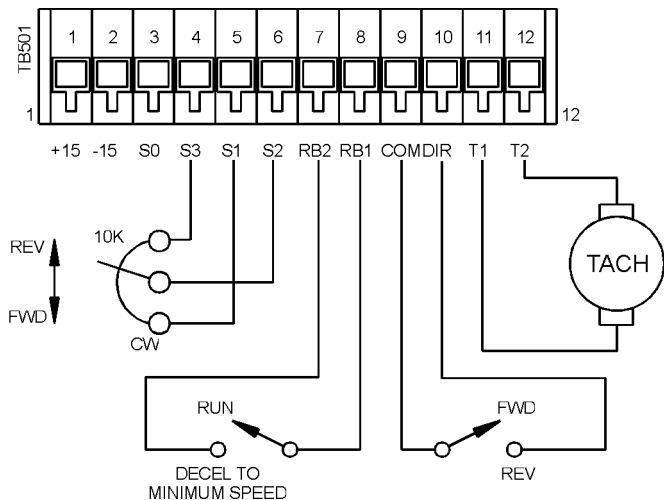
Figures 6 (page 18), 7 (page 19) and 8 (page 20) show top board connections to TB501. Connect a speed adjust potentiometer for bidirectional (two-way) or unidirectional (one-way) operation. RUN/MIN SPD switch, FWD/REV switch, and tachogenerator are optional.

RUN/MIN SPD switch

Connect a single-pole, single-throw switch between TB501 terminals 7 and 8 (RB1 and RB2) as shown in Figure 6 (page 18). Close the switch to decelerate the drive to minimum speed at a rate controlled by the REVERSE ACCEL trimpot. Open the switch to accelerate to set speed at a rate controlled by the FWD ACCEL trimpot.

FWD/REV switch

Connect a single-throw, single-pole switch between TB501 terminals 9 and 10 (COM and DIR) as shown in Figure 6 (page 18). Close the switch to reverse the direction of motor shaft rotation. Leave the switch open to operate in the forward direction. Always brake the motor to a stop before reversing (see *Dynamic Braking*, page 30). This will avoid damage to the motor armature due to high reversing current. When the motor has completely stopped, set the FWD/REV switch to the desired direction.



NOTE: SPEED ADJUST POTENTIOMETER SHOWN CONFIGURED FOR BIDIRECTIONAL OPERATION.

Figure 6. Top Board Connections

Speed adjust potentiometer connections

The speed adjust potentiometer may be configured for bidirectional (two-way) operation or unidirectional (one-way) operation (Figure 7). Connect the the potentiometer CW terminal to S1 (TB501 terminal 5) for operation in the forward direction. Connect the potentiometer CW terminal to S3 (TB501 terminal 4) for operation in the reverse direction.

For bidirectional operation, connect the CW terminal to S1 and the CCW terminal to S3. Connect the wiper to S2. Make no connection to S0. The motor will come to a stop with the wiper in the middle of its range of travel.

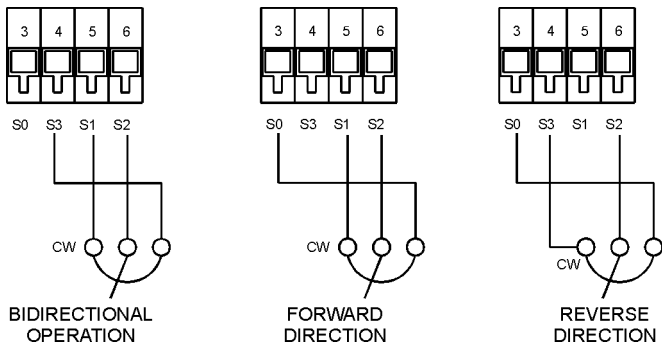


Figure 7. Speed Adjust Potentiometer Connections

Voltage follower

Instead of using a speed adjust potentiometer to set motor speed, the drive may follow a floating (isolated) -10 to $+10$ VDC signal. Connect the signal input to S2, and signal common to S0. See Figure 8.

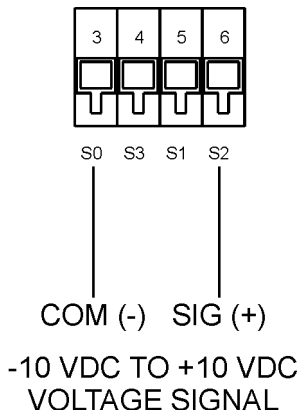


Figure 8. Voltage Follower Connections

Slide switches

See Figure 9, page 22, for slide switch location.

ARMATURE VOLTAGE OUT (SW501)

Select the maximum armature voltage output: 130 VDC or 240 VDC.

FEEDBACK SELECT (SW502)

Select the appropriate feedback option: ARMATURE for armature feedback, or TACH for tachogenerator feedback.

Headers

See Figure 9, page 22, for header location.

INHIBIT PERSONALITY (JMP501)

This header determines how the drive responds when the INHIBIT terminals (SO501) are jumpered. Jumper pins 1 and 2 for coasting to a stop. Jumper pins 2 and 3 to brake to a stop.

CURRENT LIMIT OUT (JMP502)



Warning

Do not jumper the CURRENT LIMIT OUT pins together. Shorting the pins will cause damage to the drive.

This header outputs a floating +15 VDC, 10 mADC signal whenever the drive reaches current limit.

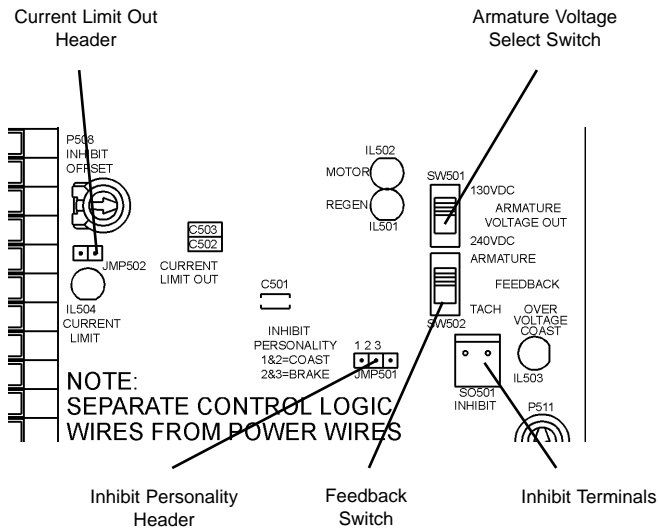


Figure 9. Slide Switches, Headers and Terminals

Operation



Warning

Dangerous voltages exist on the drive when it is powered, and up to 30 seconds after power is removed and the motor stops. **BE ALERT.** High voltages can cause serious or fatal injury.

Before applying power

- Verify that no conductive material is present on the printed circuit board.
- Set all switches and jumpers to their proper settings.
- Verify that the AC supply is properly balanced.

Startup and shutdown

1. Set the speed adjust potentiometer for zero speed. If the drive is following a voltage signal, set the voltage signal to 0 VDC.
2. Apply AC line voltage.
3. Rotate the speed adjust potentiometer or increase the signal voltage until the desired speed is reached.
4. Remove AC line voltage from the drive to coast the motor to a stop.

Reversing the drive:

Open or close the FWD/REV switch, as required. If no switch is installed, remove the jumper between the COM and DIR terminals of TB501 for operation in the forward direction, or install a jumper between the COM and DIR terminals for operation in the reverse direction.

Starting and stopping methods



Warning

Decelerating to minimum speed, regenerative braking, or coasting to a stop is recommended for frequent starts and stops. Do not use any of these methods for emergency stopping. They may not stop a drive that is malfunctioning. **Removing AC line power (both L1 and L2) is the only acceptable method for emergency stopping.** For this reason, Minarik strongly recommends installation of a stop switch (on both L1 and L2) to stop the drive in an emergency.

Frequent decelerating to minimum speed, regenerative braking, or coasting to a stop, produces high torque. This may cause damage to motors, especially gearmotors that are not properly sized for the application.

The 240 VAC line, if used, must be balanced. Contact your local distributor for line-balancing circuitry.

Logic wires from other input devices, such as motion controllers and PLL velocity controllers, must be separated from power lines in the same manner as the logic I/O on this drive.

Line starting and line stopping

When AC line voltage is applied to the drive, the motor accelerates to the set speed. When AC line voltage is removed, the motor coasts to a stop. Line stopping (removing AC line voltage) is recommended for stopping in emergency situations only. It is not recommended for frequent starting and stopping.

Automatic restart upon power restoration

All drives automatically run to set speed when power is applied. Wiring a switch or latching relay onto the AC line is one way to prevent automatic restarting following a power outage.

Decelerating to minimum speed

Shorting terminals RB1 and RB2 decelerates the motor to minimum speed (see page 18 for top board connections). The FWD and REV ACCEL trimpots determine the rate of acceleration and deceleration. Set the minimum speed by calibrating the MIN SPD OFFSET trimpot. See *Calibration* (page 31) for specific calibration instructions.

Inhibit terminals

Shorting the inhibit terminals to each other causes the motor to either coast to a stop or brake to a stop. First set the inhibit personality jumpers to select coasting or braking (see the *Headers* section on page 21). For slow coasting to a stop, jumper pins 1 and 2. For fast braking, jumper pins 2 and 3. Next, short the inhibit pins to coast or brake to a stop. Remove the short to accelerate the motor to set speed.

Minarik Corporation offers two accessory plug harnesses for use with the inhibit terminals:

Table 2. Inhibit Plug Harness Assembly

Minarik® Part Number	Description
201-0024	Inhibit plug with 18 in. (46 cm) wires
201-0079	Inhibit plug with 36 in. (91 cm) wires

Twist inhibit plug wires and separate them from other power-carrying wires or sources of electrical noise. Use shielded cable if the inhibit plug wires are longer than 18 inches (0.5m). If shielded cable is used, ground only one end of the shield to earth ground. Do not ground both ends of the shield.

Dynamic braking



Warning

Wait for the motor to completely stop before switching it back to RUN. This will prevent high armature currents from damaging the motor or drive.

NOTE: For motors rated 1/17 horsepower and lower, a brake resistor is not necessary since the armature resistance is high enough to stop the motor without demagnetization. Replace the dynamic brake resistor with 12 gauge wire.

Dynamic braking may be used to rapidly stop a motor (Figure 10, page 30). For the RUN/BRAKE switch, use a double-pole, double-throw switch rated for at least the maximum DC armature voltage and maximum braking current. Connect a dynamic brake resistor to the DB+ and DB- terminals on the printed circuit board. See Figure 5 on page 14 for dynamic brake resistor connections.

Dynamic brake resistor

The dynamic brake resistor reduces the voltage across the bus capacitors (C503 and C504) when they reach their maximum voltage rating. This occurs when the motor regenerates voltage back to the drive. Bus capacitor maximum voltage ratings are 400 VDC for 240 VAC drives, and 200 VDC for 120 VAC drives.

Dynamic brake resistor values

Refer to the following table for dynamic brake resistor values:

Table 3. Dynamic Brake Resistor Values

Drive model number	Dynamic brake resistor value (±10% tolerance)
NRG02–D240AC–4Q	40 ohms
NRG05–D240AC–4Q	
NRG10–115AC–4Q	20 ohms
NRG10–240AC–4Q	10 ohms

Dynamic brake resistor power rating

Use the following equation to determine the dynamic brake resistor power rating:

$$\begin{aligned} \text{DB}_{\text{watts}} &= (\text{Motor Power}_{\text{watts}} \times \text{duty cycle}) \times 1.2 \\ &= [(\text{Horsepower} \times 746) \times \text{duty cycle}] \times 1.2 \end{aligned}$$

$$\text{duty cycle} = \frac{T_{\text{REGEN}}}{T_{\text{MOTOR}} + T_{\text{REGEN}}}$$

where T_{REGEN} is the amount of time the motor is generating voltage back into the drive, and T_{MOTOR} is the amount of time the drive is generating voltage into the motor. The absolute minimum dynamic brake resistor power rating is typically 100 watts.

Example:

Size a DB resistor for a 1 HP motor that has a 50% duty cycle. It will be used with model NRG05–D240AC–4Q.

$$\begin{aligned}
 \text{DB}_{\text{watts}} &= (\text{Motor Power}_{\text{watts}} \times \text{duty cycle}) \times 1.2 \\
 &= [(\text{Horsepower} \times 746) \times \text{duty cycle}] \times 1.2 \\
 &= [(1 \times 746) \times 0.5] \times 1.2 \\
 &= 373 \times 1.2 \\
 &= 448
 \end{aligned}$$

Solution:

Use a 40-ohm resistor with a minimum power rating of at least 448 watts.

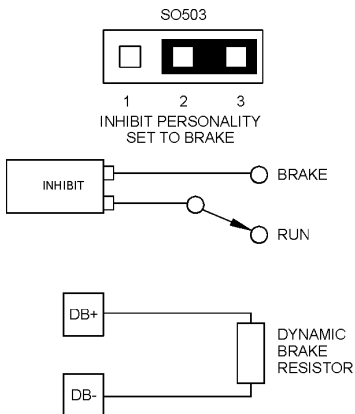


Figure 10. Dynamic Braking Circuit Connection

Calibration



Warning

Dangerous voltages exist on the drive when it is powered, and up to 30 seconds after power is removed and the motor stops. When possible, disconnect the voltage input from the drive before adjusting the trimpots. If the trimpots must be adjusted with power applied, use insulated tools and the appropriate personal protection equipment. **BE ALERT.** High voltages can cause serious or fatal injury.

NRG-4Q drives have eleven user adjustable trimpots. Each drive is factory calibrated to its maximum current rating. Readjust the calibration trimpot settings to accommodate lower current rated motors.

All adjustments increase with CW rotation, and decrease with CCW rotation. Use a non-metallic screwdriver for calibration. Each trimpot is identified on the printed circuit board.

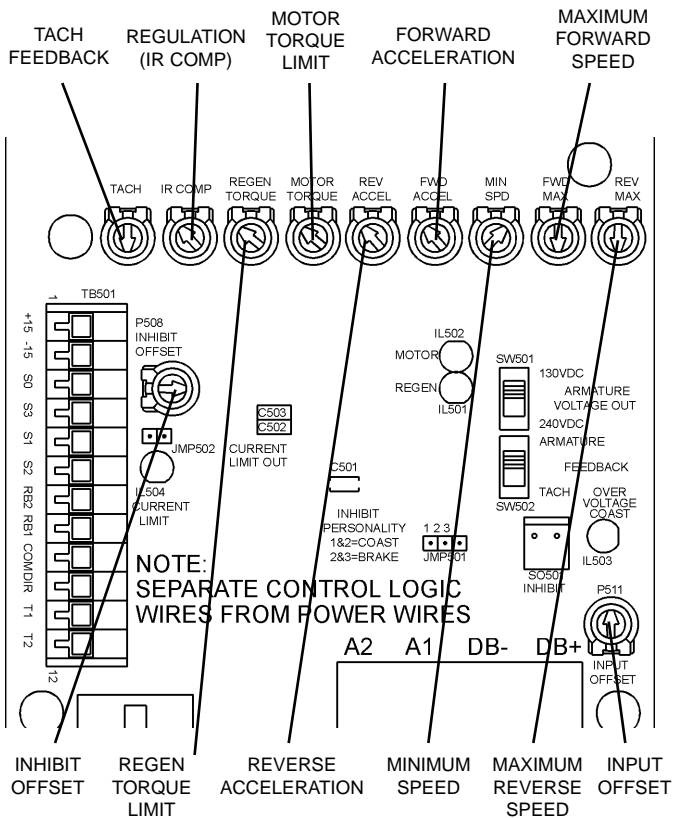


Figure 11. Calibration Trimpot Layout

Calibration procedure

1. Ensure that no power is applied to the drive.
2. Ensure that all switches and headers are set to the proper positions. See Slide switches and Headers, both on page 21.
3. Set the RUN/MIN SPD switch, if installed, to the RUN (open) position. If no switch is installed, remove the jumper between the RB1 and RB2 terminals of TB501.
4. Set the INHIBIT/RUN switch, if installed, to the RUN (open) position. If no switch is installed, remove the jumper from the INHIBIT terminals.
5. Set the FWD/REV switch, if installed, to the desired direction. If no switch is installed, install a jumper between the COM and DIR terminals of TB501 for operation in the reverse direction. Leave the terminals open for operation in the forward direction.
6. Set the FWD ACCEL, REV ACCEL, MIN SPD, FWD MAX and REV MAX trimpots to zero (full CCW).
7. Set the INHIBIT OFFSET and INPUT OFFSET trimpots to midrange (approximate 12 o' clock position).
8. Set the MOTOR TORQUE and REGEN TORQUE trimpots to maximum (full CW).
9. Make no adjustment to the TACH or IR COMP trimpots.
10. Calibrate the trimpots as follows, starting on page 34.

MINIMUM SPEED (MIN SPD)

The MIN SPD trimpot sets either the minimum speed for unidirectional operation, or the zero offset for bidirectional operation.

If MIN SPD is used to set minimum speed:

1. Connect the speed adjust potentiometer for unidirectional operation, or connect the voltage signal source.
2. Set the MIN SPD trimpot to 12 o'clock.
3. Set the speed adjust potentiometer or voltage signal for zero speed.
4. Calibrate the MIN SPD trimpot to the desired minimum speed.

If the MIN SPD is used to set zero offset:

1. Connect the speed adjust potentiometer for bidirectional operation.
2. Set the MIN SPD trimpot to 12 o'clock.
3. Set the speed adjust potentiometer to midrange.
4. Calibrate the MIN SPD trimpot for zero speed, or the desired offset speed.

INHIBIT OFFSET

NOTE: INHIBIT PERSONALITY header JMP501 must be set to BRAKE before calibrating INHIBIT OFFSET. INHIBIT OFFSET cannot be calibrated if the inhibit personality is set to COAST.

The INHIBIT OFFSET setting allows the motor to stop or to rotate in either the forward or reverse direction when the inhibit terminals are shorted to each other. INHIBIT OFFSET is factory set for the motor to stop when the inhibit terminals are shorted.

To calibrate INHIBIT OFFSET:

1. Remove AC line voltage.
2. Jumper pins 2 and 3 on INHIBIT PERSONALITY header JMP501. This will set the inhibit personality to BRAKE.
3. Apply AC line voltage.
4. Run the motor at a low speed. The actual velocity is not important.
5. Brake the motor by shorting the INHIBIT terminals to each other.
6. Adjust the INHIBIT OFFSET until the motor stops, or is rotating in either the forward or reverse direction.
7. Release the brake by removing the short across the INHIBIT terminals. The motor will accelerate to set speed.

INPUT OFFSET

The INPUT OFFSET trimpot compensates for any motor rotation caused by an imbalance in reference voltages. NRG-4Q series drives provide a +10 VDC reference voltage on S1 (TB501 terminal 5) and a -10 VDC reference voltage on S3 (TB501 terminal 4). If one reference voltage is slightly greater than the other, and the drive is connected for bidirectional operation, the drive will continue to provide a slight signal to the motor when the speed adjust potentiometer is returned to the center position.

To calibrate INPUT OFFSET:

1. Connect the speed adjust potentiometer to the drive. Ensure that the drive is connected for bidirectional operation as shown in Figure 7 on page 19.
2. Disconnect S2 from connector TB501.
3. Apply power to the drive and motor and observe motor behavior. If the motor shaft does not rotate, no adjustment is required. If the motor shaft rotates, go on to step 4.
4. Slowly adjust the INPUT OFFSET trimpot until the motor stops completely.
5. Remove power from the drive.
6. Reconnect S2 to connector TB501. Set the speed adjust pot to center and apply power. The motor should not rotate.
7. Repeat steps 1-6 as necessary until no motor rotation is observed.

FORWARD MAXIMUM SPEED (FWD MAX)

The FWD MAX setting determines the maximum motor speed when the speed adjust potentiometer or voltage input signal is set for maximum forward speed. It is factory set for maximum rated motor speed.

To calibrate FWD MAX:

1. Set the FWD MAX trimpot full CCW.
2. Set the speed adjust potentiometer or voltage input signal for maximum forward speed.
3. Adjust FWD MAX until the desired maximum forward speed is reached.

REVERSE MAXIMUM SPEED (REV MAX)

The REV MAX setting determines the maximum motor speed when the speed adjust potentiometer or voltage input signal is set for maximum reverse speed. It is factory set for maximum rated motor speed.

To calibrate REV MAX:

1. Set the REV MAX trimpot full CCW.
2. Set the speed adjust potentiometer or voltage input signal for maximum reverse speed.
3. Adjust REV MAX until the desired maximum forward speed is reached.

REGULATION (IR COMP)

The IR COMP (also known as Regulation) setting determines the degree to which motor speed is held constant as the motor load changes. It is factory set for optimum motor regulation at maximum rated horsepower. It is unlikely that IR COMP will need further adjustment; however, should you observe oscillation or unsteadiness under load, IR COMP may need adjustment. To calibrate IR COMP (exact calibration):

1. Turn the IR COMP trimpot full CCW.
2. Set the speed adjust potentiometer or voltage input signal until the motor runs at midspeed without load (for example, 900 RPM for an 1800 RPM motor). Measure the motor speed with a hand held tachometer.
3. Load the motor armature to its full load armature current rating. The motor should slow down.
4. While keeping the load on the motor, rotate the IR COMP trimpot until the motor runs at the speed measured in step 2.

Approximate calibration:

If the motor does not maintain set speed as the load changes, gradually rotate the IR COMP trimpot CW. If the motor oscillates (overcompensation), the IR COMP trimpot may be set too high (CW). Turn the IR COMP trimpot CCW to stabilize the motor speed. See Figures 13 and 14 (pages 44 and 45) for typical settings.

MOTOR TORQUE LIMIT and REGEN TORQUE LIMIT



Warning

Although MOTOR TORQUE and REGEN TORQUE are set to 120% of drive current rating, continuous operation beyond that rating may damage the motor. If you intend to operate beyond the rating, contact your Minarik representative for assistance.

The MOTOR TORQUE setting determines the maximum current limit for accelerating and driving the motor. The REGEN TORQUE setting determines the maximum current limit for decelerating and stopping the motor. MOTOR TORQUE and REGEN TORQUE are factory set at 120% of maximum rated drive current. You must recalibrate the TORQUE settings if using a lower current motor.

To calibrate MOTOR TORQUE and REGEN TORQUE:

1. With no power applied to the drive, connect a DC ammeter in series with the motor armature.
2. Carefully lock the motor armature. Ensure that the motor is firmly mounted.
3. Set the MOTOR TORQUE and REGEN TORQUE trimpots to full CCW.
4. Apply line power. The motor should remain stopped.
5. Set the speed potentiometer or reference signal to maximum forward speed. The motor should remain stopped.

6. Slowly rotate the MOTOR TORQUE trimpot clockwise (CW) until the ammeter reads 120% of maximum motor armature current.
8. Adjust the REGEN TORQUE trimpot CW to approximately the same position as the MOTOR TORQUE trimpot.
9. Set the speed adjust potentiometer or reference signal to zero speed.
10. Remove power from the drive.
11. Remove the lock from the motor shaft.
12. Remove the ammeter in series with the motor armature.

FORWARD ACCELERATION (FWD ACCEL)

The FWD ACCEL setting determines the time the motor takes to ramp to a higher speed in the forward direction or a lower speed in the reverse direction. FWD ACCEL is factory set for the fastest acceleration time (full CCW).

To calibrate FWD ACCEL:

1. Set the speed adjust potentiometer or voltage input signal for minimum speed. The motor should run at minimum speed.
2. Set the speed adjust potentiometer or voltage input signal to maximum forward speed, and measure the time it takes the motor to go from minimum to maximum speed.
3. If the time measured in step 2 is not the desired acceleration time, turn the FWD ACCEL trimpot CW for a slower acceleration time, or CCW for a faster acceleration time. Repeat steps 1 through 3 until the acceleration time is correct.

REVERSE ACCELERATION (REV ACCEL)

The REV ACCEL setting determines the time the motor takes to ramp to a higher speed in the reverse direction or a lower speed in the forward direction. REV ACCEL is factory set for the fastest acceleration time (full CCW).

To calibrate REV ACCEL:

1. Set the speed adjust potentiometer or voltage input signal for maximum forward speed. The motor should run at maximum speed.
2. Set the speed adjust potentiometer or voltage input signal for minimum speed and measure the time it takes the motor to go from maximum to minimum speed.
3. If the time measured in step 2 is not the desired deceleration time, turn the REV ACCEL trimpot CW for a slower deceleration time, or CCW for a faster deceleration time. Repeat steps 1 through 3 until the deceleration time is correct.

TACHOMETER (TACH) (for use with tachogenerator feedback only)

















Calibrate the TACH setting only when a tachogenerator is used. The TACH setting, like the IR COMP setting, determines the degree to which motor speed is held constant as the motor load changes.

To calibrate the TACH trimpot:

1. Connect the tachogenerator to T1 and T2. The polarity is “+” for T1 and “-” for T2 when the motor is running in the forward direction.
2. Set SW502 to ARMATURE for armature feedback.
3. Run the motor at full speed. Measure the armature voltage across A1 and A2 using a voltmeter.
4. Run the motor at either minimum speed or zero speed.
5. Remove AC line voltage to the drive.
6. Set SW504 to TACH for tachogenerator feedback.
7. Apply AC line voltage.
8. Set the IR COMP trimpot full CCW.
9. Set the TACH trimpot full CW.
10. Run the motor at full speed.
11. Adjust the TACH trimpot until the armature voltage is the same value as the voltage measured in step 3.

Check that the tachogenerator is properly calibrated. The motor should run at the same set speed when SW504 is set to either armature or tachogenerator feedback.

NRG02-D240AC-4Q

120 VAC INPUT				240 VAC INPUT	
HP: 1/4 VOLTS: 90 RPM: 1750 AMPS: 2.7	 TORQUE LIMIT	 IR COMP	HP: 1/2 VOLTS: 180 RPM: 1750 AMPS: 2.5	 TORQUE LIMIT	 IR COMP
HP: 1/8 VOLTS: 90 RPM: 1750 AMPS: 1.3	 TORQUE LIMIT	 IR COMP	HP: 1/3 VOLTS: 180 RPM: 1750 AMPS: 1.7	 TORQUE LIMIT	 IR COMP
HP: 1/10 VOLTS: 90 RPM: 1750 AMPS: 1.0	 TORQUE LIMIT	 IR COMP	HP: 1/4 VOLTS: 180 RPM: 1750 AMPS: 1.4	 TORQUE LIMIT	 IR COMP
HP: 1/15 VOLTS: 90 RPM: 1750 AMPS: 0.75	 TORQUE LIMIT	 IR COMP	HP: 1/10 VOLTS: 180 RPM: 1700 AMPS: 0.5	 TORQUE LIMIT	 IR COMP

NRG05-D240AC-4Q















120 VAC INPUT				240 VAC INPUT	
HP: 3/4 VOLTS: 90 RPM: 2400 AMPS: 5.0	 TORQUE LIMIT	 IR COMP	HP: 1 VOLTS: 180 RPM: 1750 AMPS: 5.0	 TORQUE LIMIT	 IR COMP
HP: 1/2 VOLTS: 90 RPM: 1750 AMPS: 5.0	 TORQUE LIMIT	 IR COMP	HP: 1/2 VOLTS: 180 RPM: 1750 AMPS: 2.5	 TORQUE LIMIT	 IR COMP
HP: 1/4 VOLTS: 90 RPM: 1750 AMPS: 2.1	 TORQUE LIMIT	 IR COMP	HP: 1/4 VOLTS: 180 RPM: 1700 AMPS: 1.4	 TORQUE LIMIT	 IR COMP
HP: 1/8 VOLTS: 90 RPM: 1750 AMPS: 1.3	 TORQUE LIMIT	 IR COMP			

Figure 12. Typical Motor Torque, Regen Torque and IR Comp Settings for NRG02/05-4Q Series Drives

NRG10-115AC-4Q

120 VAC INPUT

HP: 1
VOLTS: 130
RPM: 1750
AMPS: 10.0



TORQUE
LIMIT



IR
COMP

HP: 3/4
VOLTS: 90
RPM: 1750
AMPS: 7.5



TORQUE
LIMIT



IR
COMP

HP: 1/3
VOLTS: 90
RPM: 1750
AMPS: 3.5



TORQUE
LIMIT



IR
COMP

HP: 1/4
VOLTS: 90
RPM: 1750
AMPS: 2.7



TORQUE
LIMIT



IR
COMP

NRG10-D240AC-4Q

120 VAC INPUT

HP: 1
VOLTS: 90
RPM: 1750
AMPS: 10.0



TORQUE
LIMIT



IR
COMP

HP: 3/4
VOLTS: 90
RPM: 1750
AMPS: 7.6



TORQUE
LIMIT



IR
COMP

HP: 1/2
VOLTS: 90
RPM: 1700
AMPS: 5.0



TORQUE
LIMIT



IR
COMP

HP: 1/3
VOLTS: 90
RPM: 1700
AMPS: 3.5



TORQUE
LIMIT



IR
COMP

240 VAC INPUT

HP: 2
VOLTS: 180
RPM: 1750
AMPS: 9.2



TORQUE
LIMIT



IR
COMP

HP: 1
VOLTS: 90
RPM: 1750
AMPS: 5.0



TORQUE
LIMIT



IR
COMP

HP: 1/2
VOLTS: 90
RPM: 1750
AMPS: 2.5



TORQUE
LIMIT



IR
COMP

HP: 1/4
VOLTS: 90
RPM: 1750
AMPS: 1.4



TORQUE
LIMIT



IR
COMP

Figure 13. Typical Motor Torque, Regen Torque and IR Comp Settings for NRG10-Series Drives

Application Notes

Connection to other Minarik devices

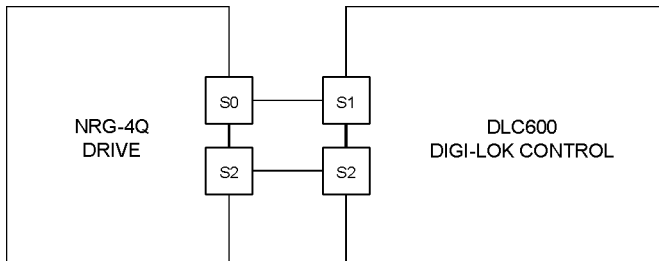


Figure 14. NRG-4Q Connection to DIGI-LOK Controls

Optional speed adjust potentiometer connections

FWD-MIN SPD-REV Switch

Use a single-pole, three-position switch with a single speed adjust potentiometer to decelerate a motor to minimum speed between reversals. Set the switch to the center position to decelerate the motor to a minimum speed (see Figure 16).

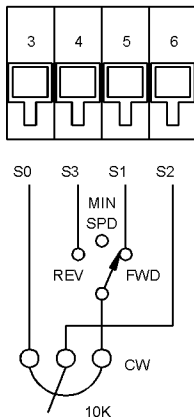


Figure 16. FWD / MIN SPD / REV Switch

Independent Adjustable Speeds

Connect two speed adjust potentiometers with a single-pole, two-position switch to select between two independent speeds shown in the forward direction (see Figure 17). The speed adjust potentiometers can be mounted at two separate operating stations. The speed adjust potentiometers must have a total parallel resistance equal to 10K ohms.

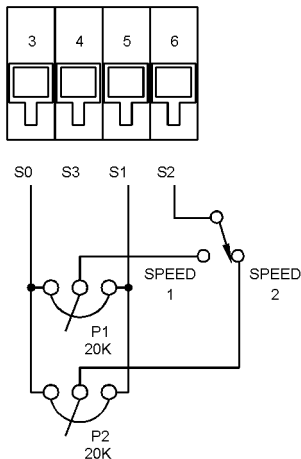


Figure 17. Independent Adjustable Speeds (Forward Direction)

Independent forward and reverse speeds

Connect two speed adjust potentiometers as shown in Figure 18 to select between independent forward and reverse speeds.

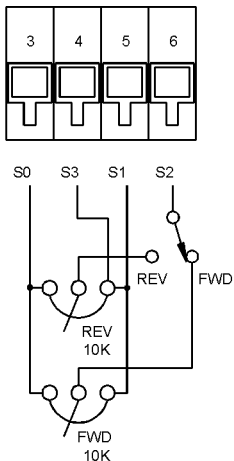


Figure 18. Independent Forward and Reverse Speeds

Independent forward and reverse speeds using a FWD-MIN SPD-REV switch

Use a single-pole, three-position switch to decelerate the motor to minimum speed when the switch is in the center position (Figure 19). Always wait for the motor to decelerate to minimum speed before switching to the FWD or REV positions.

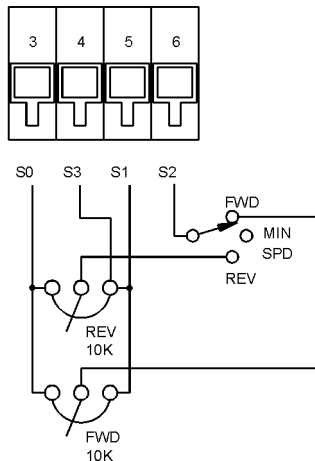


Figure 19. Independent Forward and Reverse Speeds Using a FWD / MIN SPD / REV Switch

Troubleshooting



Warning

Dangerous voltages exist on the drive when it is powered, and up to 30 seconds after power is removed and the motor stops. When possible, disconnect the drive while troubleshooting. **BE ALERT.** High voltages can cause serious or fatal injury.

Before applying power:

Check the following steps before proceeding:

1. The AC line voltage must be connected to the proper terminals.
2. Check that the voltage switches and jumpers are set correctly.
3. The motor must be rated for the drive's rated armature voltage and current.
4. Check that all terminal block connections are correct.
5. Check that line fuses FU501 and FU502 are properly sized and not blown.

For additional assistance, contact your local Minarik distributor, or the factory direct:

1-800-MINARIK (646-2745) or Fax: 1-800-394-6334

Diagnostic LEDs

This NRG drive series is equipped with the following diagnostic LEDs to aid in troubleshooting or monitoring equipment status.

CURRENT LIMIT

Red LED lights when drive output current exceeds the threshold set by either the MOTOR TORQUE or REGEN TORQUE trimpot.

MOTOR

Red LED lights when the drive applies a signal to run the motor.

REGEN

Yellow LED lights when the drive applies a regenerative braking current to the motor. The regenerative braking current is applied in the opposite direction of motor rotation.

OVER VOLTAGE COAST

Red LED lights when the drive's output to the regen dump circuit exceeds the dump circuit's maximum input voltage. When this condition exists, the NRG drive will switch off its power control components, coasting the motor to a stop. If this happens, one of the following conditions has been reached:

1. The DECEL trimpot is incorrectly calibrated. If the deceleration time is short enough for a given load, the drive will produce an unacceptably high voltage output to the regen dump circuit, tripping the NRG's over-voltage circuitry.
2. The inertia of a given load is too great. If this happens, even the maximum DECEL setting will not be enough to prevent the OVER VOLTAGE COAST LED from illuminating. Shut down the drive and motor and check the motor load before restarting.

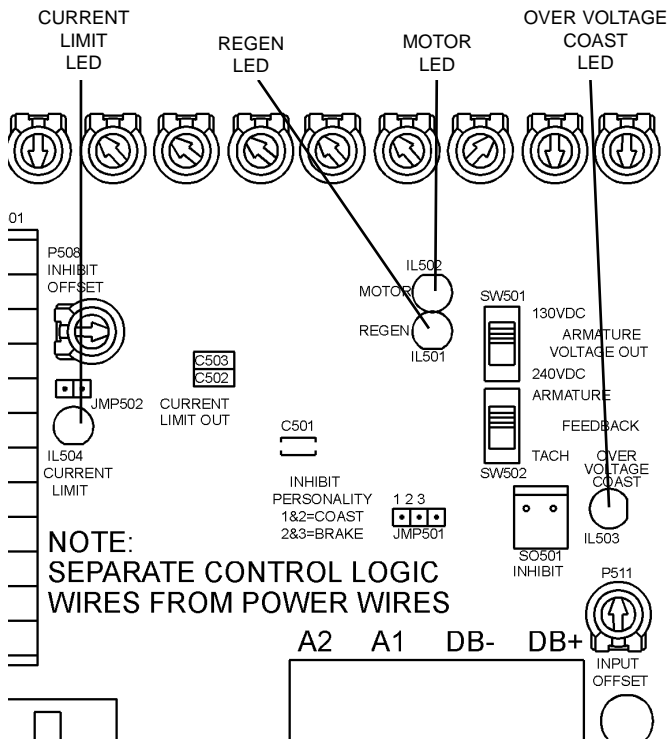


Figure 20. Diagnostic LED Location

Problem	Possible Causes	Suggested Solutions
Line fuse blows	<ol style="list-style-type: none">1. Line fuses are the wrong size.2. Motor cable or armature is shorted to ground.3. Nuisance tripping caused by a combination of ambient conditions and high-current spikes (i.e. reversing).	<ol style="list-style-type: none">1. Check that line fuses are properly sized for the motor being used.2. Check motor cable and armature for shorts.3. Add a blower to cool the drive components; decrease TORQUE settings, or resize motor and drive for actual load demand, or check for incorrectly aligned mechanical components or “jams”. See page 39 for information on adjusting the TORQUE trimpots.
Line fuse does not blow, but the motor does not run	<ol style="list-style-type: none">1. Speed adjust potentiometer or voltage input signal set to zero speed.2. Speed adjust potentiometer or voltage input signal not connected to drive input properly; connections are open.	<ol style="list-style-type: none">1. Increase the speed adjust potentiometer setting or voltage input signal.2. Check connections to input. Verify that connections are not open.

Problem	Possible Causes	Suggested Solutions
<p>Line fuse does not blow, but the motor does not run (cont.)</p> <p>Motor runs too slow or too fast at set speed</p>	<p>3. Inhibit terminals are shorted to each other; S2 is shorted to S0, or RB1 is shorted to RB2.</p> <p>4. Drive is in current limit.</p> <p>5. Drive is not receiving AC line voltage.</p> <p>6. Motor is not connected.</p>	<p>3. Remove short.</p> <p>4. Verify that motor is not jammed. Increase MOTOR TORQUE or REGEN TORQUE setting if they are set too low.</p> <p>5. Apply AC line voltage to L1 and L2.</p> <p>6. Connect motor to A1 and A2.</p>
<p>Motor will not reach the desired speed</p>	<p>1. Switches or jumpers are set incorrectly.</p> <p>2. MIN SPEED OFFSET, FWD MAX, and REV MAX are not calibrated.</p> <p>1. FWD MAX and REV MAX settings are too low.</p> <p>2. IR COMP setting is too low.</p>	<p>1. Verify all switch and jumper settings.</p> <p>2. Calibrate MIN SPEED OFFSET, FWD MAX, and REV MAX.</p> <p>1. Increase FWD MAX and REV MAX settings.</p> <p>2. Increase the IR COMP setting.</p>

Problem	Possible Causes	Suggested Solutions
Motor will not reach the desired speed (cont.)	3. Motor is overloaded.	3. Check motor load. Resize the motor and drive if necessary.
Motor pulsates or surges under load	1. IR COMP is set too high. 2. Motor “bouncing” in and out of torque limit.	1. Adjust the IR COMP setting slightly CCW until the motor speed stabilizes. 2. Make sure motor is not undersized for load; adjust MOTOR TORQUE and REVERSE TORQUE trim pots.
Motor does not reverse	1. Bad switch connection to DIR and COM. 2. Reversing circuit not working properly.	1. Check switch connection to DIR and COM. 2. Check reversing circuit by shorting DIR to COM with jumper wire.
Motor creeps when inhibit terminals are shorted to each other.	INHIBIT OFFSET trim pot not set for zero speed.	Calibrate INHIBIT OFFSET.

Replacement Parts

Replacement parts are available from Minarik Corporation and its distributors for this drive series.

Table 4. Replacement Parts

Model	Symbol	Description	Minarik P/N
NRG02-D240AC-4Q			
	BR501	Single In-Line Bridge	073-0012
	C503, 508, 509	470uF, 400 VDC Capacitor	011-0120
	FU501, 502	15A, 3AB Fuse	050-0018
	Q501-504	INXFH26N50 FET	070-0079
	Q505	IRFP460 Power MOSFET	070-0066
	Q506	IRFP440 MOSFET	070-0077
		10 Pin Cable Connector	134-0036
		2 Pin Shunt	164-0181
		10K ohm, 5W Potentiometer Kit	202-0003
NRG05-D240AC-4Q			
		Same as NRG02-D240AC-4Q, except 10K ohm, 5W Potentiometer Kit	202-0071
NRG10-115AC-4Q			
		Same as NRG02-D240AC-4Q, except:	
	C503, 508, 509	1000 uF, 200 VDC Capacitor	011-0096
	FU501, 502	20A, 3AB Fuse	050-0019
	Q501-505	INXFH35N30 FET	070-0054
		10K ohm, 5W Potentiometer Kit	202-0071
NRG10-D240AC-4Q			
		Same as NRG02-D240AC-4Q, except	
	C503, 508, 509	1000 uF, 400 VDC Capacitor	011-0080
	FU501, 502	20A, 3AB Fuse	050-0019
	Q501-505	IRG4PC50UD FET	070-0086
	Q505	INXFH26N50 FET	070-0079
	Q506	IRFP440 MOSFET	070-0077

Potentiometer Kit Contents (202-0003)

1 ea 10K OHM, 5W POTENTIOMETER	120-0009
1 ea 3/8-32 X 1/2 NUT	151-0007
1 ea 3/8IN INT TOOTH LOCK WASHER	152-0007
1 ea POT INSULATING WASHER	156-0022

Potentiometer Kit Contents (202-0071)

1 ea 10K OHM, 2W POTENTIOMETER	120-0047
1 ea 3/8-32 X 1/2 NUT	151-0007
1 ea 3/8IN INT TOOTH LOCK WASHER	152-0007
1 ea POT INSULATING WASHER	156-0022

FUSE KIT CONTENTS**3–8A Fuse Kit (050–0069)**

2 ea 3 AMP 3AG FAST-ACTING FUSE	050-0021
2 ea 5 AMP 3AG FAST-ACTING FUSE	050-0022
2 ea 8 AMP 3AG FAST-ACTING FUSE	050-0059
1 ea 1/2A (.500) PICO FUSE	050-0074

5–20A Fuse Kit (050–0073)

2 ea 5 AMP 3AG FAST-ACTING FUSE	050-0022
2 ea 8 AMP 3AG FAST-ACTING FUSE	050-0059
2 ea 10 AMP 3AB NORMAL-BLO FUSE	050-0024
2 ea 15 AMP 3AB NORMAL-BLO FUSE	050-0018
2 ea 20 AMP 3AB NORMAL-BLO FUSE	050-0019
1 ea 1/2A (.500) PICO FUSE	050-0074

Inhibit Plugs

Inhibit Plug with 18 in. (46 cm) wires	201-0024
Inhibit Plug with 36 in. (91 cm) wires	201-0079

CE Compliance

Certificate of Compliance

Minarik Corporation hereby certifies that its NRG10-115AC-4Q and NRG10-D240AC-4Q series drives have been approved to bear the “CE” mark provided the conditions of approval have been met by the end user. The NRG10-4Q series has been tested to the following test specifications:

**EN55011:1991 (emissions), and
EN50082-2:1995 (immunity)**

Compliance allows the NRG10-4Q series to bear the CE mark.

The end user, as described herein, falls into one of two categories:

1. The Consumer will deploy a stand-alone unit as an integral, yet external, portion of the machine being operated.
2. The Original Equipment Manufacturer (OEM) will implement the product as a component of the machine being manufactured.

Compliance Requirements

OEM Responsibility

The OEM must meet the following conditions:

- All wires, including logic, AC power and motor leads, must be shielded. Do not ground both ends of the shield.
- The NRG-4Q control must be enclosed in a solid metal enclosure. The enclosure lid, body, backplane, shielded drive cable and the installed line filter must all be tied to a low-impedance earth ground.
- An AC line filter, p/n CEPWMxx (where xx is the filter current rating) or equivalent, must be wired into the AC line of the control.

Installation

In order to meet CE requirements, the NRG10-4Q drive must be mounted in the vertical plane. External air flow is required to ensure temperature limits are not exceeded.

Enclosure

The drive enclosure must be installation category II and must have a flame rating of V-0, V-1, or V-2. The enclosure should have no holes on the bottom. The enclosure must contain sufficient clearance for forced-air cooling.

Wiring

Use 18-24 AWG [1.0 mm - 0.5 mm] wire for speed adjust potentiometer wiring. Use 14–16 AWG [1.6 mm - 1.3 mm] wire for AC line (L1, L2) and motor (A1, A2) wiring.

Connect the shielding as shown in Figure 21 (page 65). Ensure that the shielding from L1 and L2 at the drive end, and A1 and A2 at the drive end, are connected to the earth ground screw on the shielded enclosure. Logic and power and motor leads must be routed separately within the enclosure.

Grounding

Use 14 AWG [1.6 mm] wire to join the enclosure to earth ground. A lockwasher must be installed between the screw and ground terminal (Figure 21, page 65). To ensure maximum contact between the terminal and enclosure, remove paint in a minimum radius of 0.25 in [6 mm] around the screw hole.

AC Line Filters

In addition to EMI/RFI safeguards inherent in the NRG-4Q design, external filtering is required.

Minarik requires the AC line filters listed in Table 5. Use model CEPWM10 with drives rated for 5 ADC or below, and model CEPWM20 with drives rated for 10ADC or below.

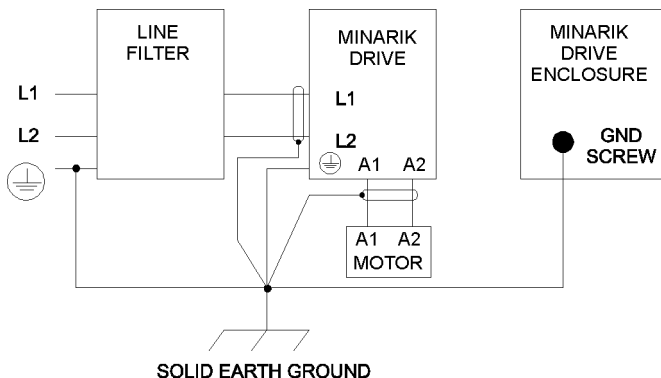
Table 5. AC Line Filters

Minarik Model Number	CEPWM10	CEPWM20
Rated Current	10 A	20 A
Inductance	1.03 mH	0.88 mH
Capacitance		
Line to Line	2.2 μ F	2.2 μ F
Line to Ground	0.01 μ F	0.01 μ F
Discharge Resistor	680K ohms	680K ohms

Wire the AC line filter within 0.25 meters (10 inches) of the drive. The ground connection from the filter must be wired to solid earth ground (resistance less than 500 ohms); not machine ground. This is very important!

If the end-user is using a CE-approved motor, the correct filter from Table 5 is all that is necessary to meet the CE directives listed herein.

SHIELDING AND CE FILTER CONNECTIONS



ENCLOSURE GROUND STRAP INSTALLATION

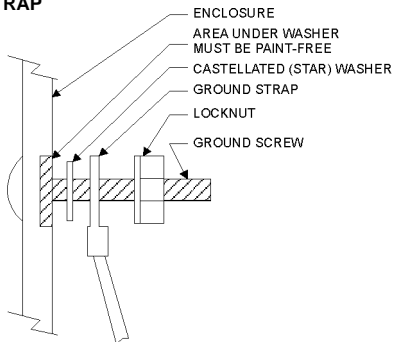


Figure 21. CE Shielding, Ground and Filtering Connections

The end user must use the filtration listed in this addendum to comply with CE. The OEM may choose to provide alternative filtering that encompasses the Minarik drive and other electronics within the same panel. The OEM has this liberty because CE is a machinery directive.

Whether or not every component in the OEM's machinery meets CE, the OEM must still submit his machine for CE approval. Thus, no component must necessarily meet CE within the machine, as long as the OEM takes the necessary steps to guarantee the machine does meet CE. By the same token, even if every component in the OEM's machine does meet CE, the machine will not necessarily meet CE as a machine.

Using CE-approved wiring practices, such as proper shielding, and the filters should assure the drive will meet EN55011 (1991 emissions standard) and EN50082-2 (1995 immunity standard).

Unconditional Warranty

A. Warranty

Minarik Corporation (referred to as "the Corporation") warrants that its products will be free from defects in workmanship and material for twelve (12) months or 3,000 hours, whichever comes first, from date of manufacture thereof. Within this warranty period, the Corporation will repair or replace, at its sole discretion, such products that are returned to Minarik Corporation, 901 East Thompson Avenue, Glendale, CA 91201-2011 USA.

This warranty applies only to standard catalog products, and does not apply to specials. Any returns for special controls will be evaluated on a case-by-case basis. The Corporation is not responsible for removal, installation, or any other incidental expenses incurred in shipping the product to and from the repair point.

B. Disclaimer

The provisions of Paragraph A are the Corporation's sole obligation and exclude all other warranties of merchantability for use, express or implied. The Corporation further disclaims any responsibility whatsoever to the customer or to any other person for injury to the person or damage or loss of property of value caused by any product that has been subject to misuse, negligence, or accident, or misapplied or modified by unauthorized persons or improperly installed.

C. Limitations of Liability

In the event of any claim for breach of any of the Corporation's obligations, whether express or implied, and particularly of any other claim or breach of warranty contained in Paragraph A, or of any other warranties, express or implied, or claim of liability that might, despite Paragraph B, be decided against the Corporation by lawful authority, the Corporation shall under no circumstances be liable for any consequential damages, losses, or expense arising in connection with the use of, or inability to use, the Corporation's product for any purpose whatsoever.

An adjustment made under warranty does not void the warranty, nor does it imply an extension of the original 12-month warranty period. Products serviced and/or parts replaced on a no-charge basis during the warranty period carry the unexpired portion of the original warranty only.

If for any reason any of the foregoing provisions shall be ineffective, the Corporation's liability for damages arising out of its manufacture or sale of equipment, or use thereof, whether such liability is based on warranty, contract, negligence, strict liability in tort, or otherwise, shall not in any event exceed the full purchase price of such equipment.

Any action against the Corporation based upon any liability or obligation arising hereunder or under any law applicable to the sale of equipment or the use thereof, must be commenced within one year after the cause of such action arises.



NRG-2Q Series



RG5500U



MMRG Series



BOSS Series

Minarik Automation
& Control

901 E Thompson Avenue
Glendale, CA 91201-2011

Tel: (800) MINARIK (646-2745)

Fax: 1-800-394-6334

www.minarikcorp.com

Document number 250-0245, Revision 3

Printed in the U.S.A – 8/01

North America \$12.00, Outside North America \$15.00