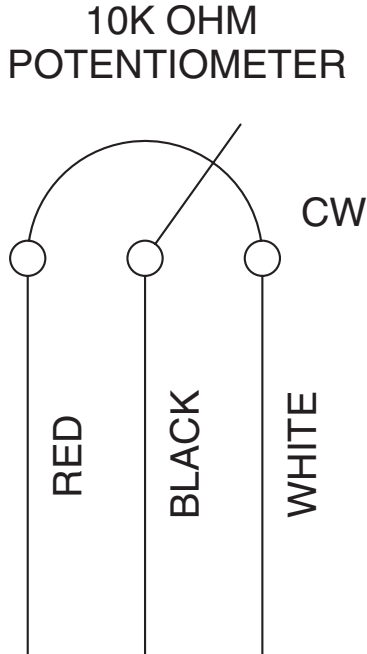


FOOT-OPERATED POTENTIOMETER



**FOR MOST MINARIK CONTROLS,
CONNECT RED TO S1,
BLACK TO S2, AND WHITE TO S3.**

• Minarik Corporation •
901 East Thompson Avenue • Glendale, CA 91201-2011
Phone: (800) MINARIK (646-2745); Fax: (800) 394-6334; www.minarikcorp.com
Document Number 250-0133, Revision 1; Printed in the U.S.A. – November 2002