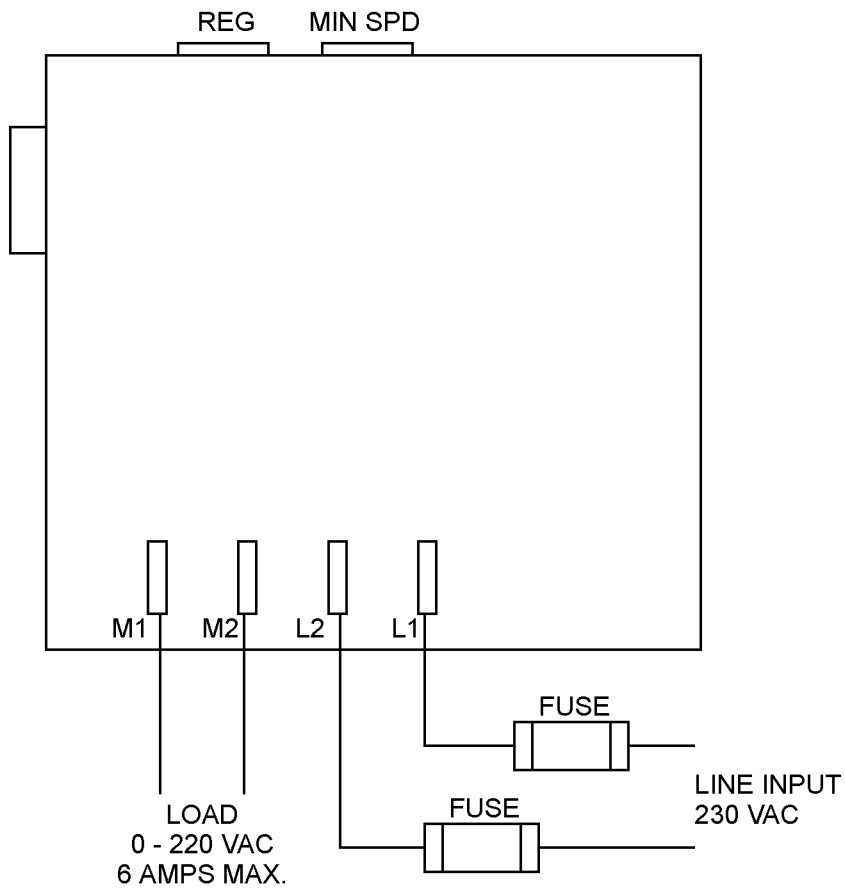


TITLE TA201U CONNECTION



901 E. THOMPSON AVENUE, GLENDALE, CA 91201-2011 USA  
(800) MINARIK (646-2745)



DOCUMENT NO 250-0118 REV. 0  
LITHO 4/89